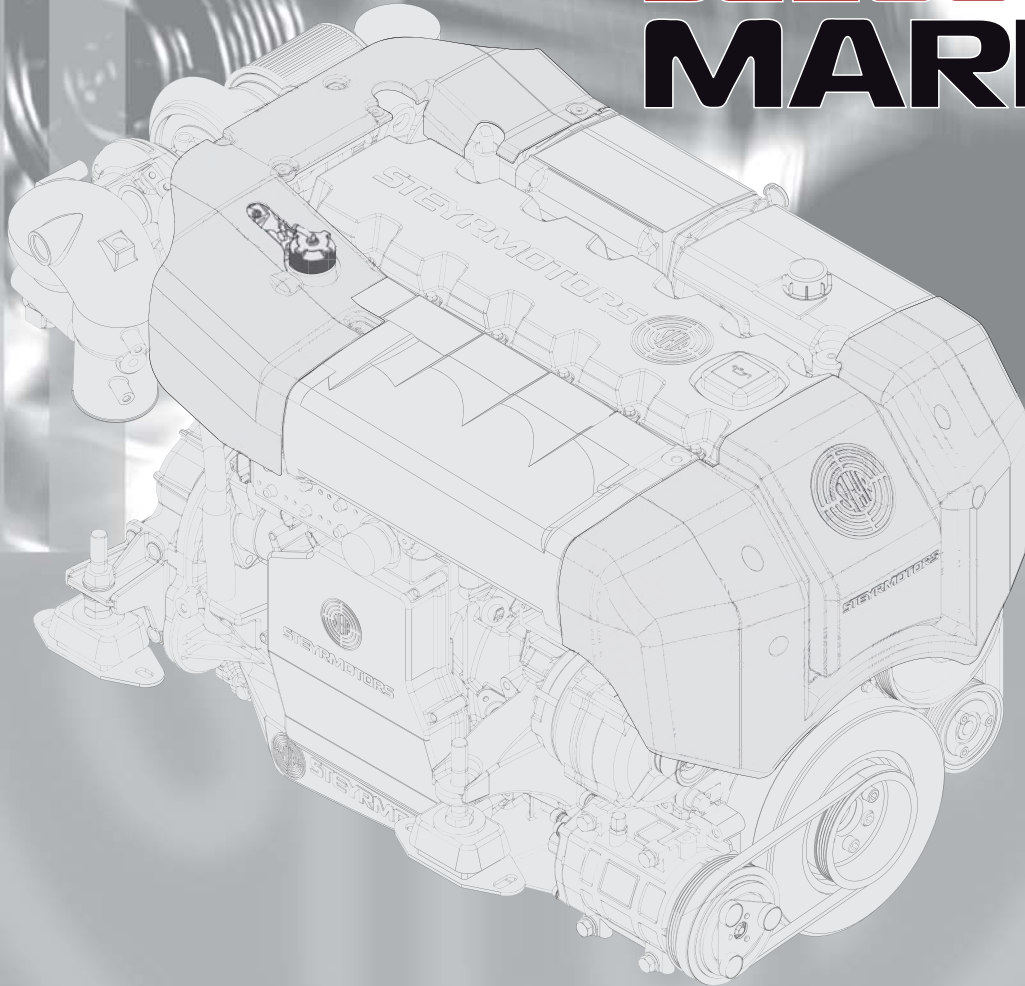




STEYR MARINE ENGINES

SE266S36
MARINE



SE266S36

Serial no.: 682320001-->

SPARE PARTS CATALOGUE

P/N Z011847-0 1st Edition, July 2012

TEL ++43 / 7252 / 222 / 20

FAX ++43 / 7252 / 222 / 29

@ e.sales@steyr-motors.com



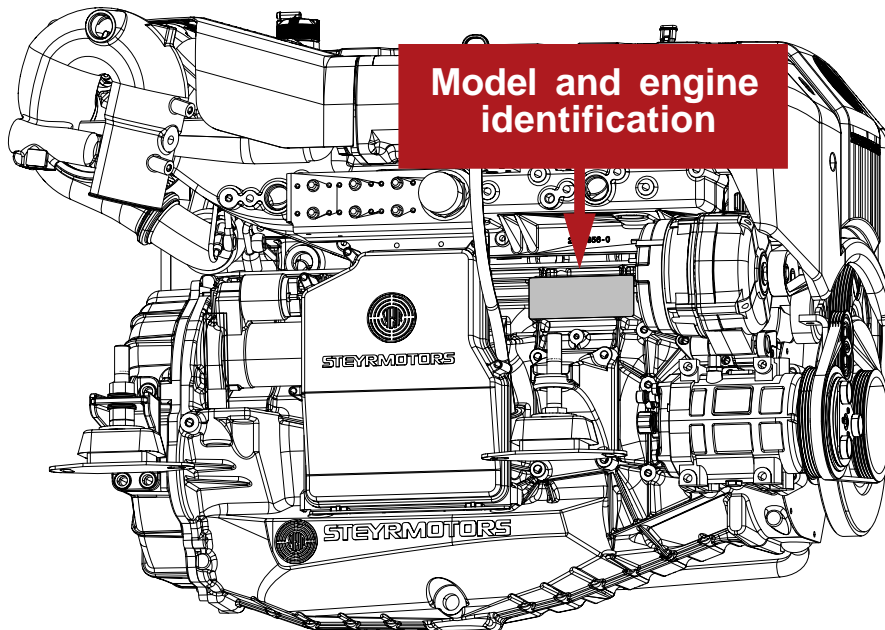
STEYRMOTORS
INNOVATION WITH LIGHTNESS



SE266 S36 MARINE

When ordering spare parts are always indicate model and engine number.
This will speed up delivery and help to avoid mistakes.

The primary model and engine number is located on the engine as illustrated. These numbers are required when requesting warranty and ordering parts.



Substituting automotive or generally supplied parts and hardware will often result in less than desired performance. For this reason, you should insist on the known quality of genuine STEYR Marine matched replacement parts, and should never use parts of unknown quality.

We reserve the right to make changes in design and execution which incorporate advances in technology!



SIGNS AND SYMBOLS

1



TA 0101

CYLINDERBLOCK	SE266536 MARINE
----------------------	----------------------------

2

01016084-0

3	4	5	6	8	9	7
Pos.	Part.-No.	Qty	Designation			Step
24	Z002676-0	1	SPARE PART COVER T-BELT →68226146			.2
26	2203711-1	1	COVER T-BELT, UPPER PART 68226147→			.2
28	9000538-0	3	HEX.FLANGE BOLT EN 1665-M6x50 A2-70			.2

- 1 Table number
- 2 Partlist number for whole table/functional groups
- 3 Positions number
- 4 Spare part number
- 5 Quantity for one engine respectively assembly group
- 6 Designation and description of spare part
- 7 Groupparts are marked with a circle around the position number. Parts in the list below these, which had an increased step number by one, will be included at delivery.
- 8 → 6..... Arrow before engine number: Spare part UNTIL and LOWER
- 9 6..... → Arrow past engine number: Spare part FROM and HIGHER

ACROBAT

... back to "starting point"

... one page back

... one page forward





**SE266 S36
MARINE**

TABLE OF CONTENTS - SPARE PARTS CATALOGUE

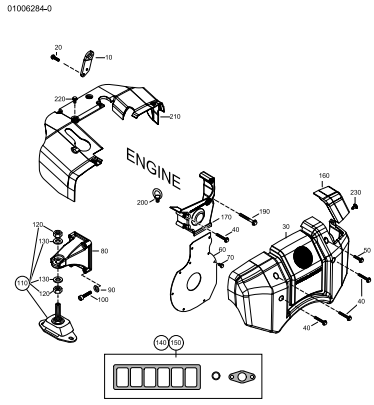

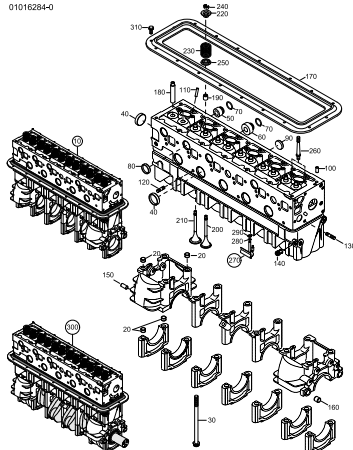

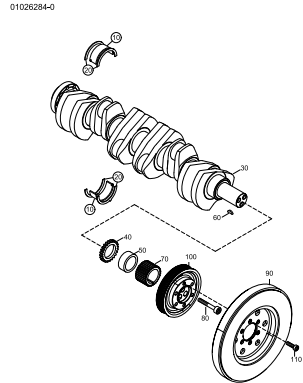

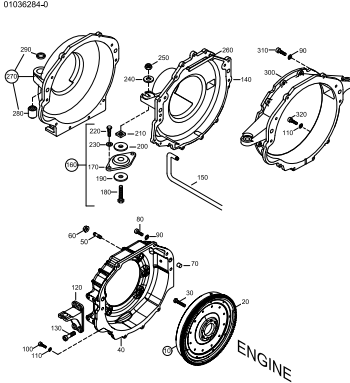

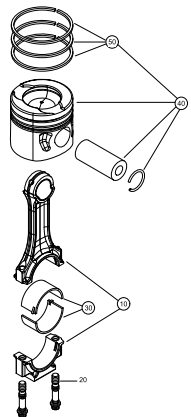

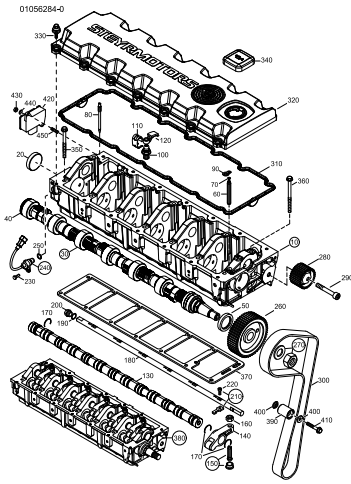

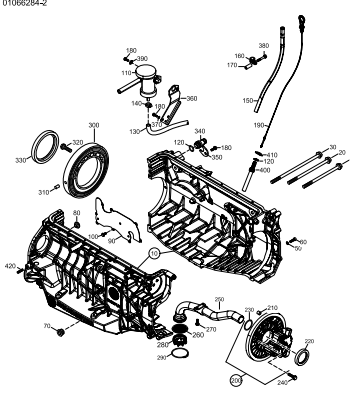

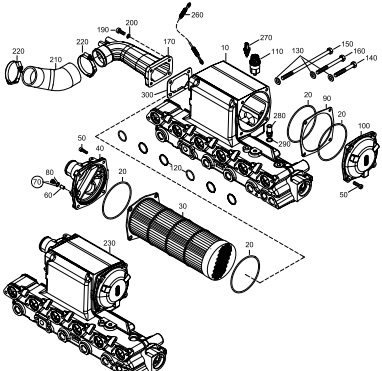

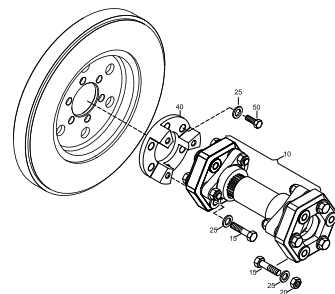

<p>TA 0100 Page 10 MOUNT BRACKET, COVER T-BELT, GASKET SET</p>  	<p>TA 0101 Page 12 CRANKCASE</p>  	<p>TA 0102 Page 14 CRANKSHAFT, BEARING, DAMPER</p>  
<p>TA 0103 Page 16 FLYWHEEL, FLYWHEELHOUSING</p>  	<p>TA 0104 Page 20 PISTON, RINGS AND PIN, CONNECTION ROD</p>  	<p>TA 0105 Page 22 CAMSHAFT HOUSING</p>  
<p>TA 0106 Page 26 OILPUMP, OILPIPE, OILPAN, OIL DIPSTICK</p>  	<p>TA 0108 Page 30 INTERCOOLER</p>  	<p>TA 0109 Page 32 POWER TAKE OFF FRONT</p>  





TABLE OF CONTENTS - SPARE PARTS CATALOGUE

**SE266 S36
MARINE**

<p>TA 0113 Page 34 OILCOOLER, OILFILTER</p>	<p>TA 0114 Page 36 EXHAUST, HEAT EXCHANGER, GASKETS</p>	<p>TA 0200 Page 40 TORSIONAL COUPLING</p>
<p>TA 0210 Page 42 COUPLER</p>	<p>TA 0302 Page 44 FUEL PUMP, UNIT INJECTOR, PIPE</p>	<p>TA 0304 Page 46 AIRFILTER, INVERSIONVALVE SOLAS</p>
<p>TA 0305 Page 48 TURBO</p>	<p>TA 0308 Page 50 CONTR. SOLENOID, INJECTION TIMING DEVICE</p>	<p>TA 0309 Page 52 FUEL FILTER</p>





**SE266 536
MARINE**

TABLE OF CONTENTS - SPARE PARTS CATALOGUE

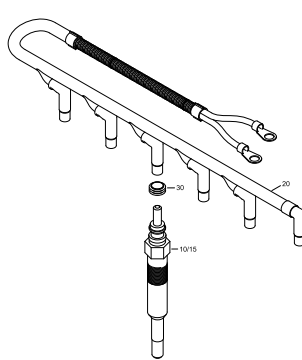

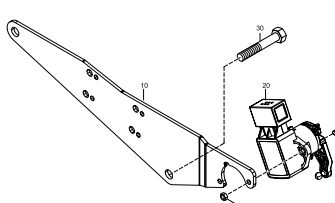

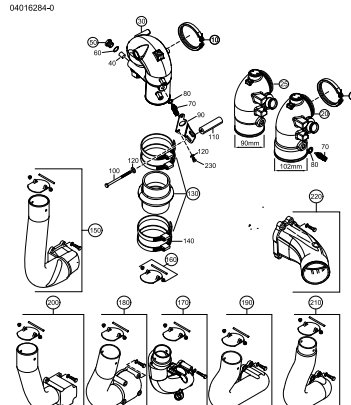

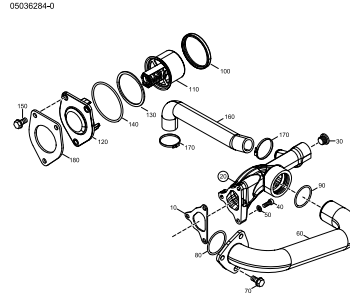

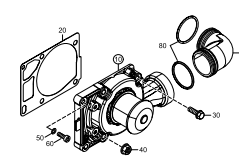

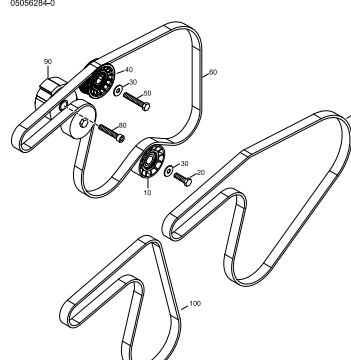

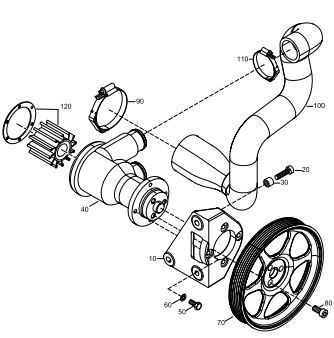

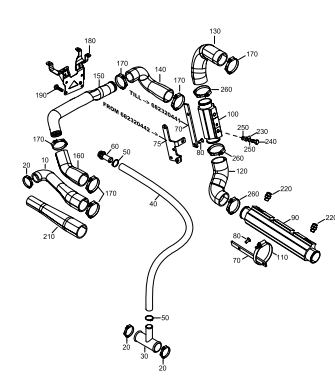

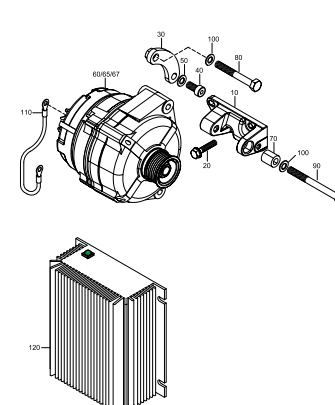

<p>TA 0311 Page 54 GLOW PIN</p> <p>03116084-0</p>  	<p>TA 0312 Page 56 POTENTIOMETER ACCELERATOR</p> <p>03126284-0</p>  	<p>TA 0401 Page 58 HIGH RISER, EXHAUSTPIPE</p> <p>04016284-0</p>  
<p>TA 0503 Page 60 WATERPIPE, THERMOSTAT</p> <p>05036284-0</p>  	<p>TA 0504 Page 62 WATERPUMP</p> <p>05046284-0</p>  	<p>TA 0505 Page 64 DRIVE BELTS, PULLEYS, TENSIONER</p> <p>05056284-0</p>  
<p>TA 0510 Page 66 RAW WATER PUMP</p> <p>05106284-0</p>  	<p>TA 0512 Page 68 RAW WATER PIPES</p> <p>05126284-0</p>  	<p>TA 0601 Page 70 ALTERNATOR 14V - 120A</p> <p>06016284-0</p>  





TABLE OF CONTENTS - SPARE PARTS CATALOGUE

SE266 S36
MARINE

<p>TA 0603 Page 72 STARTER</p>	<p>TA 0605 Page 74 ENGINE HARNESS</p>	<p>TA 0606 Page 76 SECURETSYSTEM, FUSES, ECU, E-BOX</p>
<p>TA 0607 Page 78 INSTRUMENTPANEL (STANDARD)</p>	<p>TA 0609 Page 80 INSTRUMENTPANEL SOLAS (STANDARD)</p>	<p>TA 0609 Page 82 INSTRUMENTPANEL SOLAS 24V</p>
<p>TA 0610 Page 84 SCC-DISPLAY</p>	<p>TA 0611 Page 86 SCC KEY IGNITION PANEL</p>	<p>TA 0612 Page 88 SCC PUSH BUTTON IGNITION PANEL</p>





**SE266 S36
MARINE**

TABLE OF CONTENTS - SPARE PARTS CATALOGUE

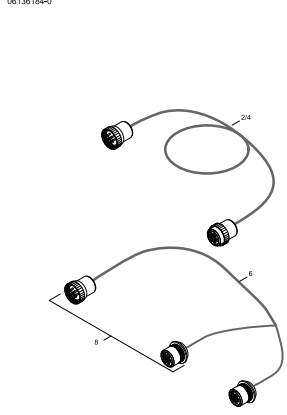

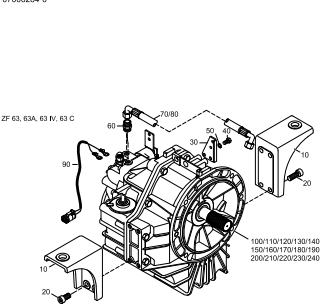

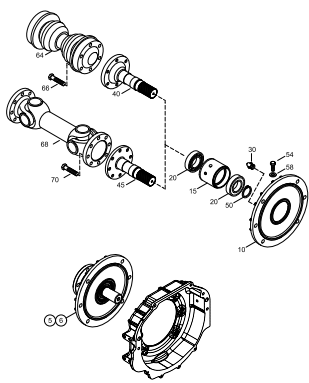

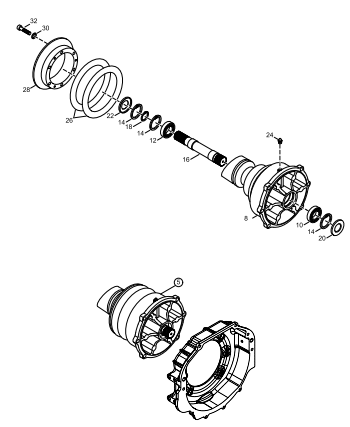

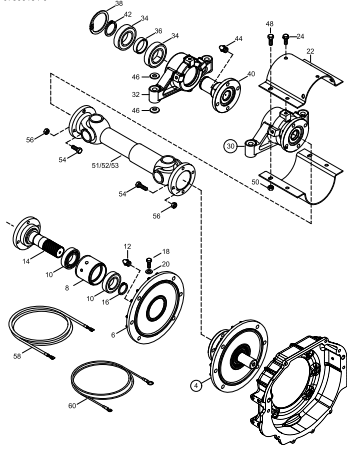

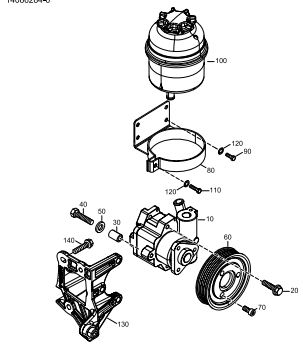

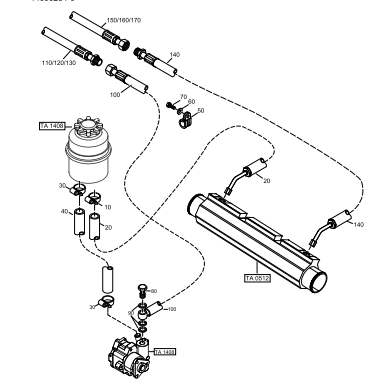

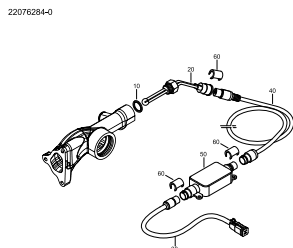

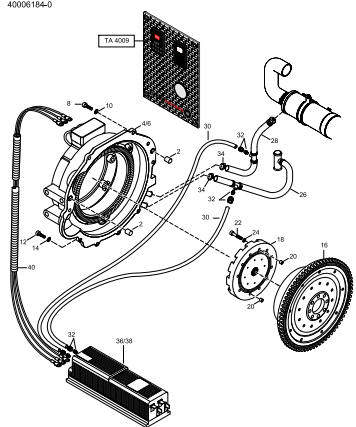

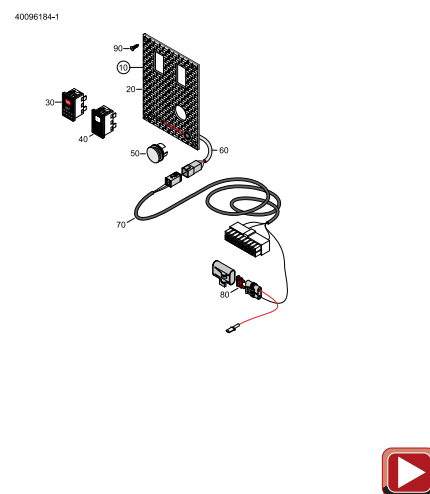

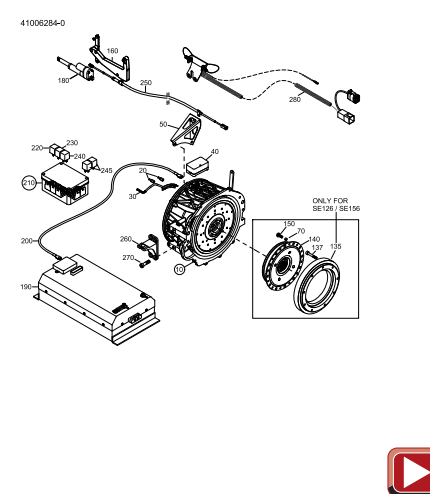

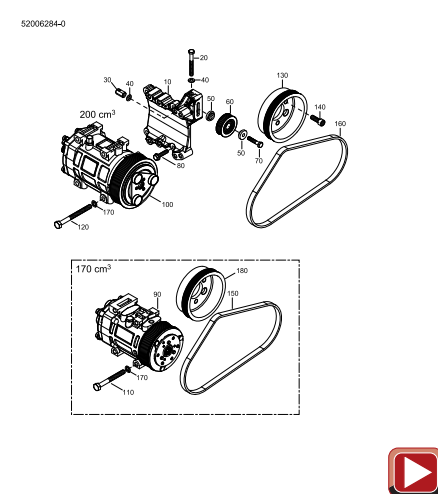

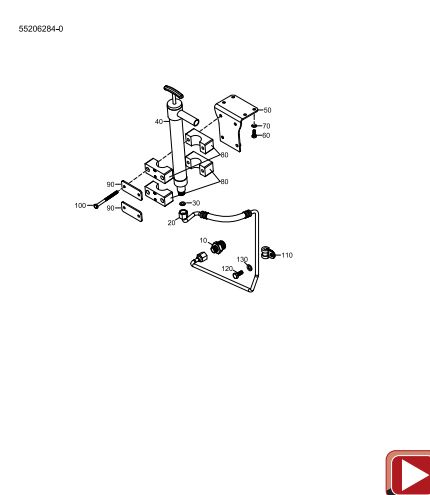

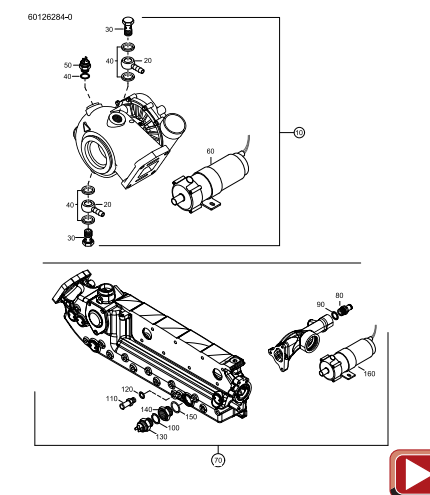

<p>TA 0613 Page 90 EXTENSION CABLE INSTRUMENTS</p>  <p>06136184-0</p> 	<p>TA 0700 Page 92 TRANSMISS., MOUNTING BRACKETS, PIPES</p>  <p>07006284-0</p> <p>ZF 63, 63A, 63 IV, 63 C</p> <p>100/110/120/130/140 150/160/170/180/190 200/210/220/230/240</p> 	<p>TA 0701 Page 94 TRANSMISSION-SHAFT, PTO-SHAFT</p>  <p>07016184-0</p> 
<p>TA 0720 Page 96 DRIVE ADAPTOR VOLVO STERNDRIVE</p>  <p>07206084-0</p> 	<p>TA 0730 Page 98 DRIVE SHAFT EXT. MERCURY STERNDRIVE</p>  <p>07306184-0</p> 	<p>TA 1408 Page 100 HYDRAULIC PUMP</p>  <p>14086284-0</p> 
<p>TA 1409 Page 102 HYDRAULIC PIPES</p>  <p>14096284-0</p> 	<p>TA 2207 Page 104 ENGINE PREHEATING</p>  <p>22076284-0</p> 	<p>TA 4000 Page 106 INTEGR. FLYWHEELGENERATOR (IFG)</p>  <p>40006184-0</p> 





TABLE OF CONTENTS - SPARE PARTS CATALOGUE

SE266 S36
MARINE

<p>TA 4009 Page 108 IFG PUSH BUTTON PANEL</p>	<p>TA 4100 Page 110 HYBRID</p>	<p>TA 5200 Page 112 AIR CONDITIONING & DRIVE</p>
<p>40096184-1</p>  <p style="text-align: right;"></p>	<p>41006284-0</p>  <p style="text-align: right;"></p>	<p>52006284-0</p>  <p style="text-align: right;"></p>
<p>TA 5520 Page 114 OIL DRAIN PUMP</p>	<p>TA 6012 Page 116 CABIN HEATER, CIRCULATION PUMP</p>	
<p>55206284-0</p>  <p style="text-align: right;"></p>	<p>60126284-0</p>  <p style="text-align: right;"></p>	



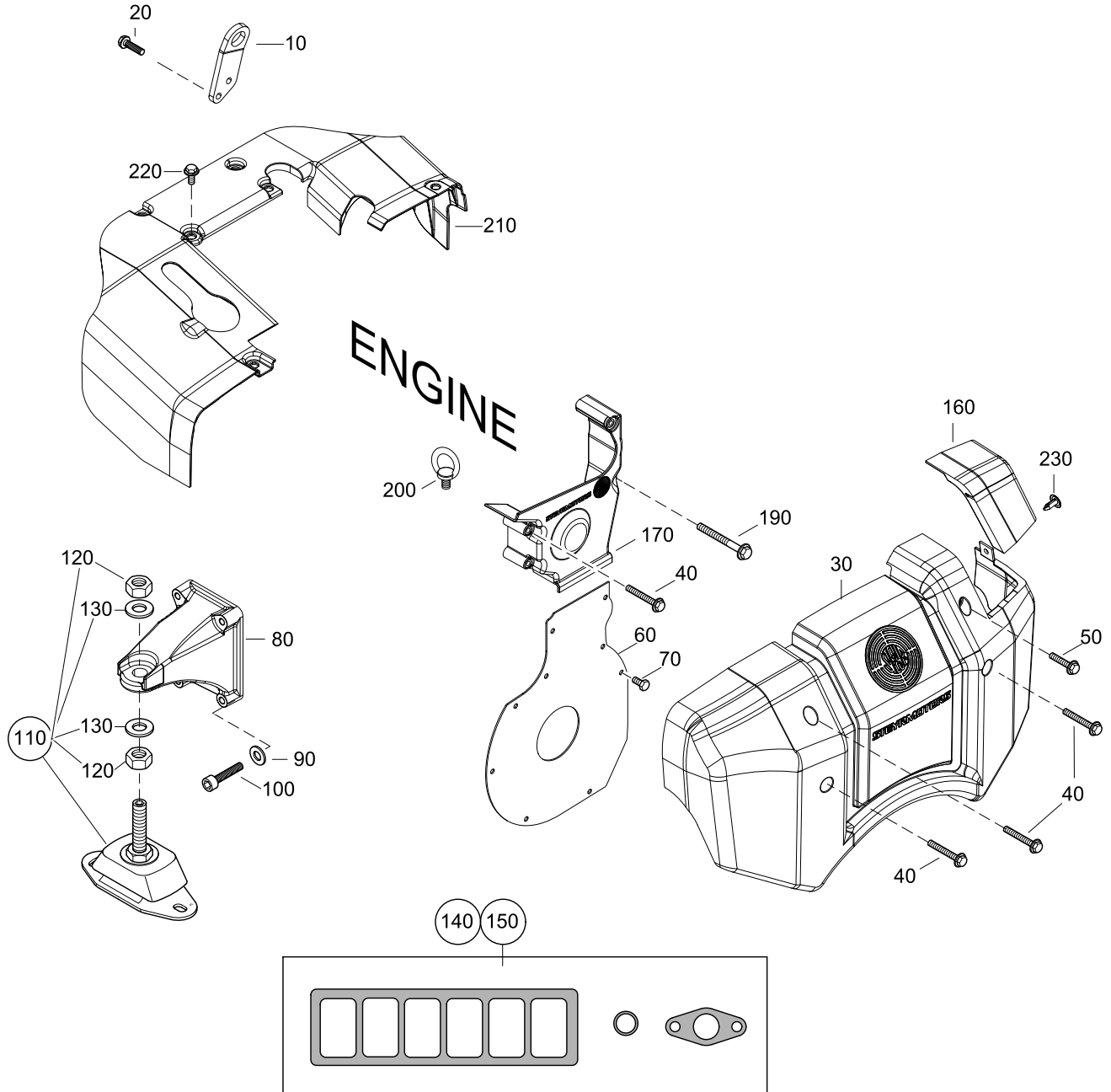


TA 0100

SE266 536
MARINE

MOUNT BRACKET, COVER T-BELT, GASKET SET

01006284-0



MOUNT BRACKET, COVER T-BELT, GASKET SET

**SE266 S36
MARINE**

01006284-0

Pos.	Part.-No.	Qty	Designation	Step
10	2201024-0	1	ENGINE LIFT SHACKLE	.2
20	9000305-0	2	HEX.FLANGE BOLT EN 1665-M8x20-10.9-DAC	.2
30	2180836-0	1	COVER T-BELT	.2
40	9000538-0	5	HEX.FLANGE BOLT EN 1665-M6x50 A2-70	.2
50	9000537-0	1	HEX.FLANGE BOLT EN 1665-M6x30 A2-70	.2
60	2181204-0	1	COVER PLATE, COVER T-BELT	.2
70	3800238-0	9	HEX.HD.SCR. ISO 4017-M6x12-A2-70	.2
80	2177598-9	2	MOUNT BRACKET, FRONT, PAINTED	.2
90	3930075-0	8	WASHER DIN 125 A10.5-140HV-A2	.2
100	9000014-1	8	HEX.SOCK. HD.CAP SCR. DIN 912-M10x50-10.9-A3C	.2
110	2203804-5	4	ENGINE MOUNT ASSY 55SH	.2
120	9000442-0	2	HEX.NUT ISO 8673-M18x1,5-8-A-DAC	.3
130	9000441-0	2	LOCKWASHER 19,5x34,5	.3
140	Z026130-0	1	SEAL KIT, W-O FRAME SEAL	.2
150	Z026132-0	1	SEAL KIT, WITH FRAME SEAL	.2
160	2181029-0	1	COVER T-BELT PART 2	.2
170	2181026-0	1	COVER T-BELT, LOWER PART	.2
190	9001104-0	1	HEX. BOLT ISO 4014-M6x70 A2-70	.2
200	9001105-0	1	EYEBOLT DIN 580-M12-A2	.2
210	2180838-0	1	COVER REAR	.2
220	9001001-0	6	HEX.FLANGE BOLT EN 1665-M6x16-A2-70	.2
230	9001126-0	1	UNSCREWING SNAP RIVET 8mm	.2



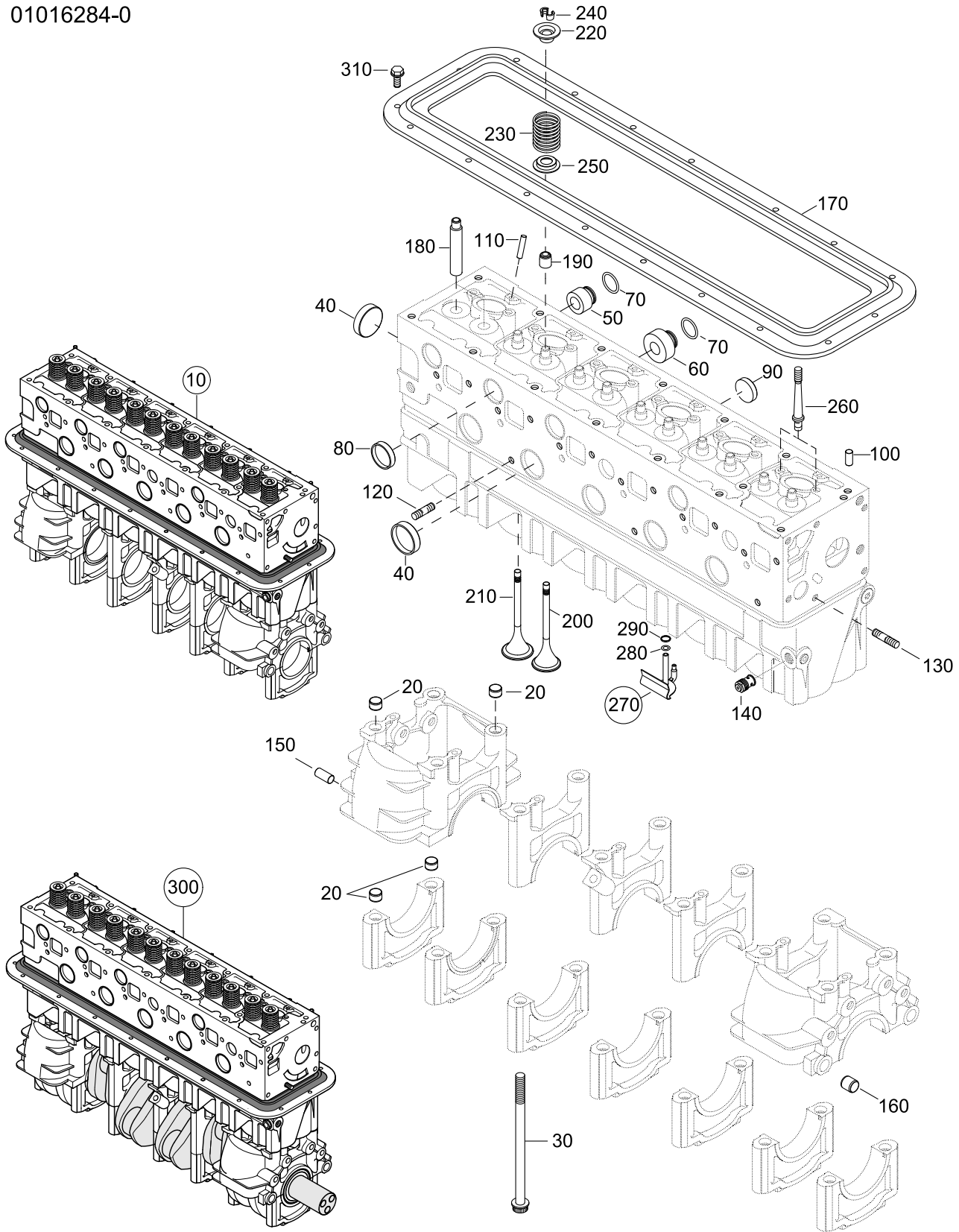


TA 0101

SE266 536
MARINE

CRANKCASE

01016284-0



CRANKCASE	SE266 S36 MARINE
------------------	-----------------------------

01016284-0

Pos.	Part.-No.	Qty	Designation	Step
10	MZ60284-0	1	CYL. BLOCK ASSY. MARINE (INCL. VALVES)	.2
20	2172799-0	24	FITTING SLEEVE	..3
30	2174329-0	14	BOLT, MAIN BEARING	..3
40	2170309-0	6	CORE HOLE PLUG 40-8	..3
50	2180872-0	2	O-RING SLEEVE	..3
60	2180873-0	3	O-RING SLEEVE	..3
70	9001076-0	5	O-RING 19,2x3	..3
80	2172170-0	6	CORE HOLE PLUG 28-7	..3
90	2173768-0	6	CORE HOLE PLUG 22-8	..3
100	3901416-0	2	PARALLEL PIN ISO 2338-8m6x16-ST	..3
110	3901328-0	6	PARALLEL PIN ISO 2338-6m6x30-ST	..3
120	9000327-0	3	STUD DIN 939-M6x20-8.8-A2C	..3
130	3812435-0	1	STUD DIN 938-M8x35-8.8-A3C	..3
140	2178525-1	1	COOLING OIL VALVE ASSY.	..3
150	3901509-0	2	PARALLEL PIN ISO 2338-10m6x20-ST	..3
160	2170298-0	2	FITTING SLEEVE	..3
170	2205379-0	1	FRAME SEAL	..3
180	2172133-N	12	VALVE GUIDE	..3
190	2172096-1	12	VALVE STEM SEAL	..3
200	2177577-1	6	EXHAUST VALVE	..3
210	2177576-6	6	INTAKE VALVE	..3
220	2177349-0	12	VALVE-SPRING RETAINER	..3
230	2172362-0	12	VALVE SPRING	..3
240	2170171-0	24	VALVE COLLET	..3
250	2177415-0	12	SPRING SUPPORT	..3
260	2174321-1	12	STUD	.2
270	2178478-3	6	SPRAYING NOZZLE ASSY.	.2
280	2179896-0	6	O-RING 5,23 x 2,62 (GREEN)	..3
290	2179658-0	6	BACK-UP RING	.2
300	MT60284-0	1	PARTIAL ENGINE	.2
310	9000287-0	17	HEX.FLANGE BOLT EN 1665-M6x12-8.8-A3C	.2



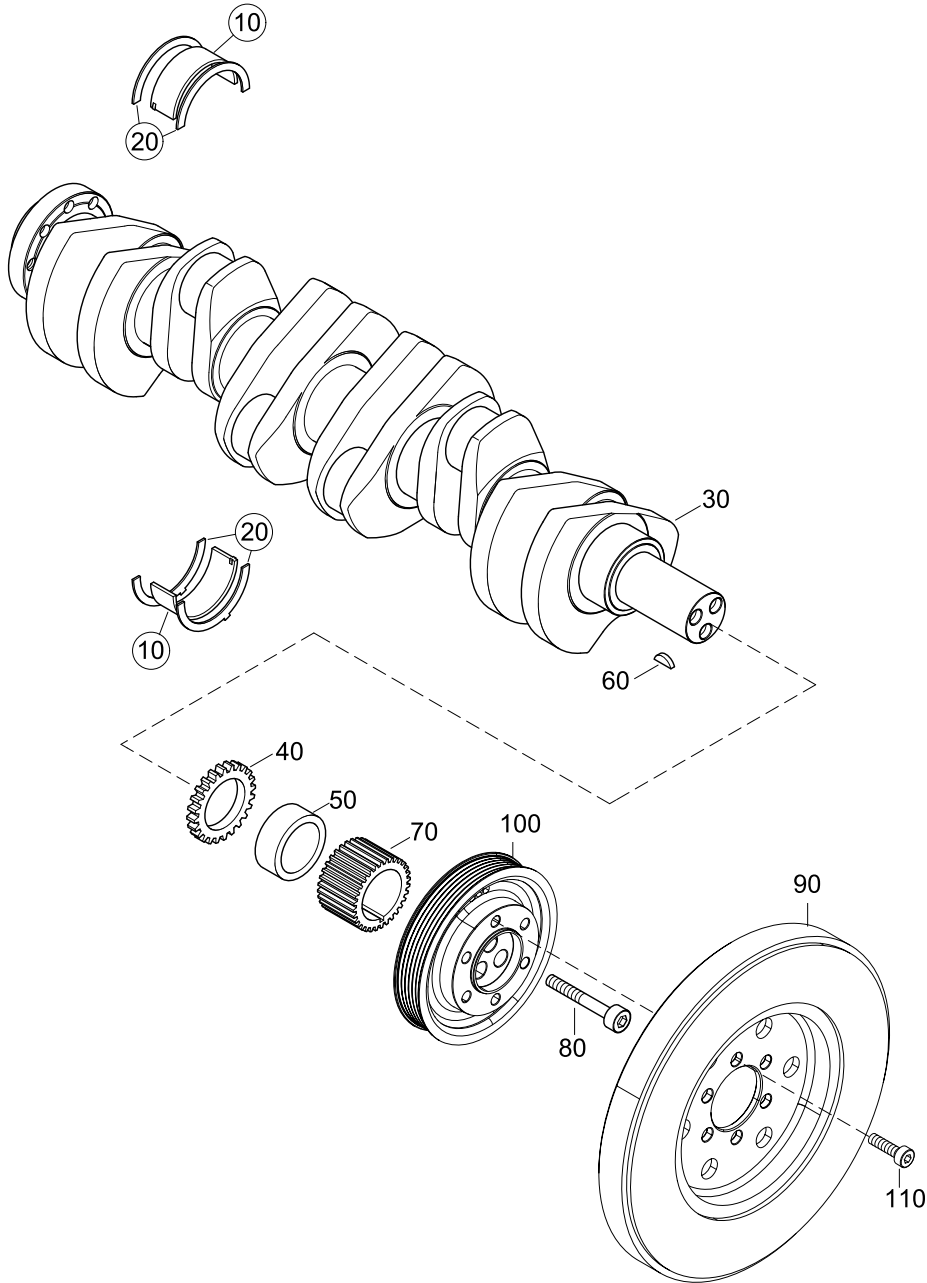


TA 0102

SE266 536
MARINE

CRANKSHAFT, BEARING, DAMPER

01026284-0



CRANKSHAFT, BEARING, DAMPER	SE266 S36 MARINE
------------------------------------	-----------------------------

01026284-0

Pos.	Part.-No.	Qty	Designation	Step
10	Z002185-0	7	MAIN BEARING KIT, CRANKSHAFT	.2
20	Z002002-0	1	AXIAL BEARING KIT, CRANKSHAFT	.2
30	2172816-0	1	CRANKSHAFT	.2
40	2172584-2	1	GEAR	.2
50	Z021016-0	1	BARREL RING	.2
60	3960012-0	1	WOODRUFFKEY DIN 6888-8x9	.2
70	2172770-2	1	SYNCHRONOUS BELT PULLEY	.2
80	9000635-0	3	HEX.SOCK. HD.CAP SCR. DIN 912-M12x90-12.9-DAC A500	.2
90	2200664-2	1	VISCO DAMPER	.2
100	2180681-0	1	PULLEY, CRANKSHAFT	.2
110	9000511-0	6	HEX.SOCK. HD.CAP SCR. DIN 912-M10x25-12.9	.2



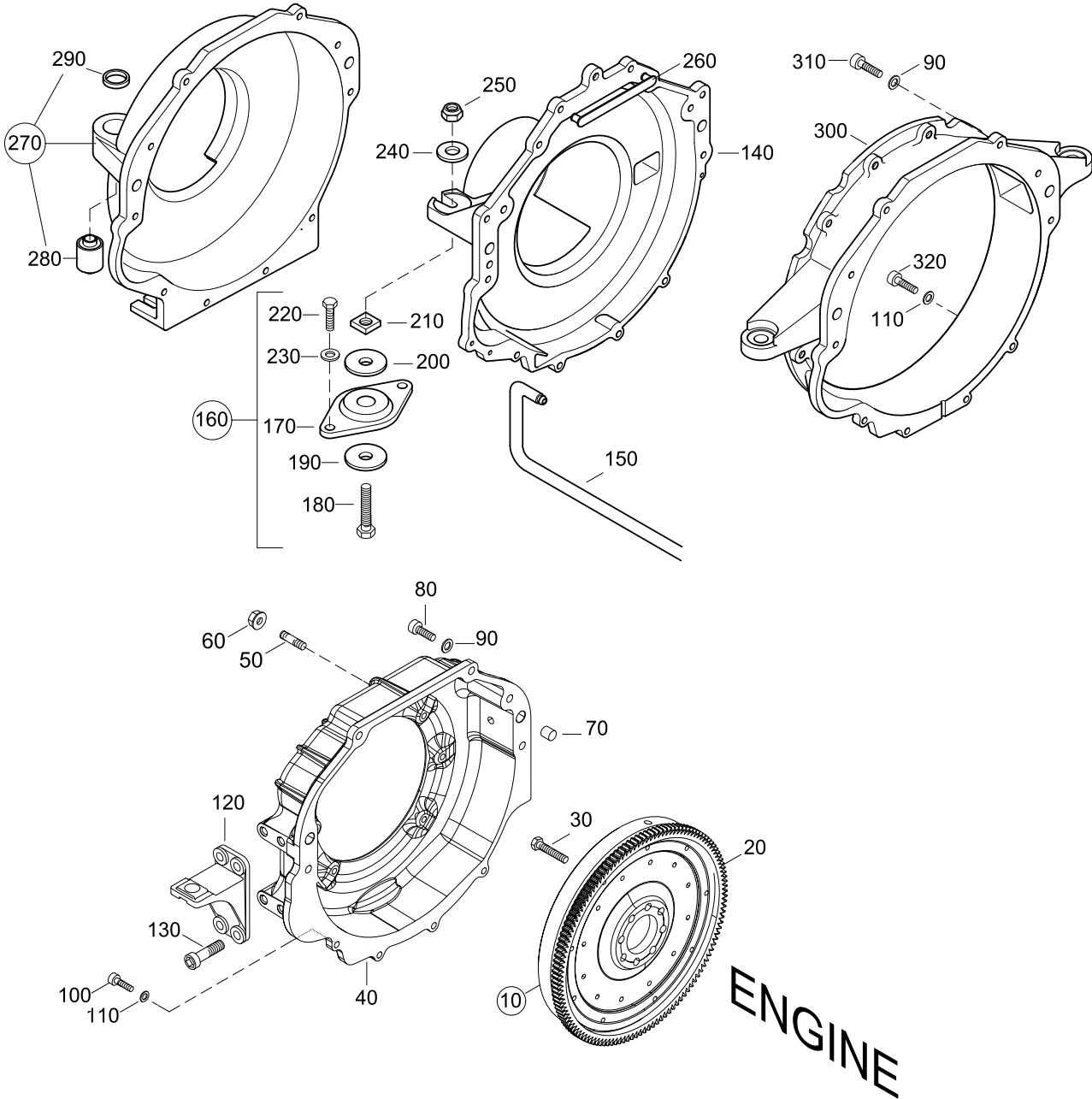


TA 0103

SE266 536
MARINE

FLYWHEEL, FLYWHEELHOUSING

01036284-0



FLYWHEEL, FLYWHEELHOUSING

**SE266 S36
MARINE**

01036284-0

Pos.	Part.-No.	Qty	Designation	Step
10	2180676-0	1	FLYWHEEL ASSY.	.2
20	2205031-0	1	STARTER RING GEAR, FLYWHEEL	..3
30	2174592-0	8	HEX. HEAD SCREW M10x30-12.9	.2
40	2180981-0	1	HOUSING-FLYWHEEL INBOARD	.2
50	9000371-0	6	STUDDIN 835-M10x25-8.8-A3C	.2
60	9000042-1	6	HEX.FLANGE NUT DIN 6923-M10-8-A3C	.2
70	3900184-0	2	SPRING PIN, SLIGHT TYPE DIN 7346-16x22	.2
80	3862545-0	5	HEX.SOCK. HD.CAP SCR. DIN 912-M10x35-A2-70	.2
90	3930075-0	5	WASHER DIN 125 A10.5-140HV-A2	.2
100	3862433-0	4	HEX.SOCK. HD.CAP SCR. DIN 912-M8x30-A2-70	.2
110	3930103-0	4	WASHER DIN 125-8.4-140HV-A2	.2
120	2178722-1	2	BRACKET FLYWHEEL HOUSING	.2
130	9000081-0	8	HEX.SOCK.HD.CAP SCR. DIN 912-M12x35-8.8-A3C	.2
140	O915157-9	1	HOUSING-FLYWHEEL OMC / VOLVO SX - PAINTED	.2
150	O913787-0	1	HOSE-FLYWHEEL HOUSING	.2
160	O986712-0	1	SMALL PARTS REAR MOUNTS	.2
170	O983932-0	2	REAR MOUNT ASSY	..3
180	O318573-0	2	BOLT, REAR MOUNT	..3
190	O911780-0	2	WASHER-REAR MOUNT-LOWER	..3
200	O912889-0	2	WASHER REAR MOUNT	..3
210	O911776-0	2	SQUARE NUT-REAR MOUNT	..3
220	O309484-0	4	HEX. SCREW 3/8-16UNCx1-1/4"	..3
230	O319453-0	4	WASHER	..3
240	O911778-0	2	WASHER, REAR MOUNT	.2
250	O313623-0	2	LOCK NUT, REAR MOUNT	.2
260	2178504-0	1	COVER	.2
270	2178833-M	1	HOUSING FLYWHEEL MERCURY ASSY PAINTED	.2
280	2178876-2	2	SINENT BLOCK F. FLYWHEEL HOUSING	..3
290	2178877-0	2	WASHER-REAR MOUNT-LOWER	..3
300	2178052-9	1	HOUSING FLYWHEEL SAE 4 PAINTED	.2



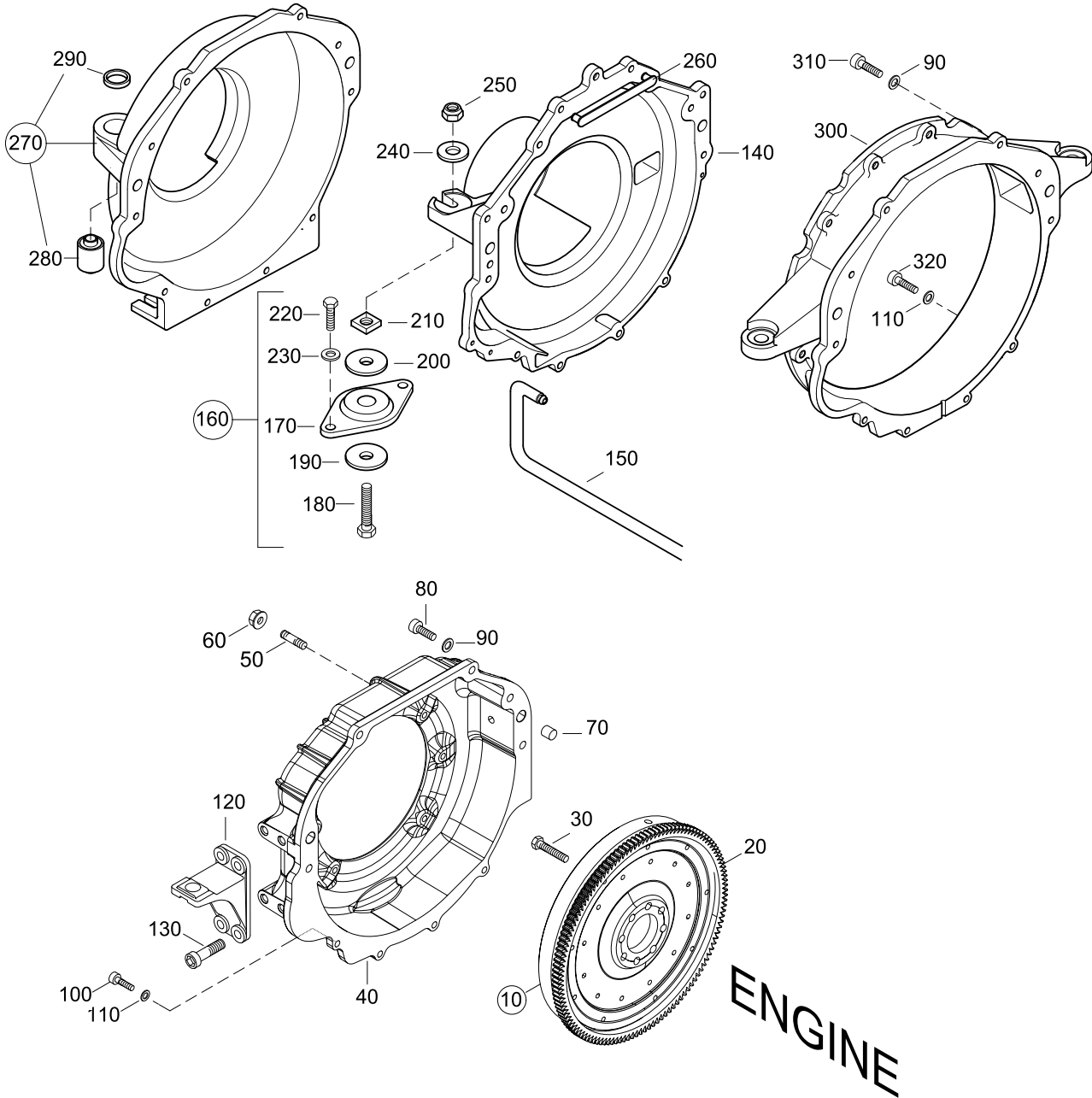


TA 0103

SE266 536
MARINE

FLYWHEEL, FLYWHEELHOUSING

01036284-0





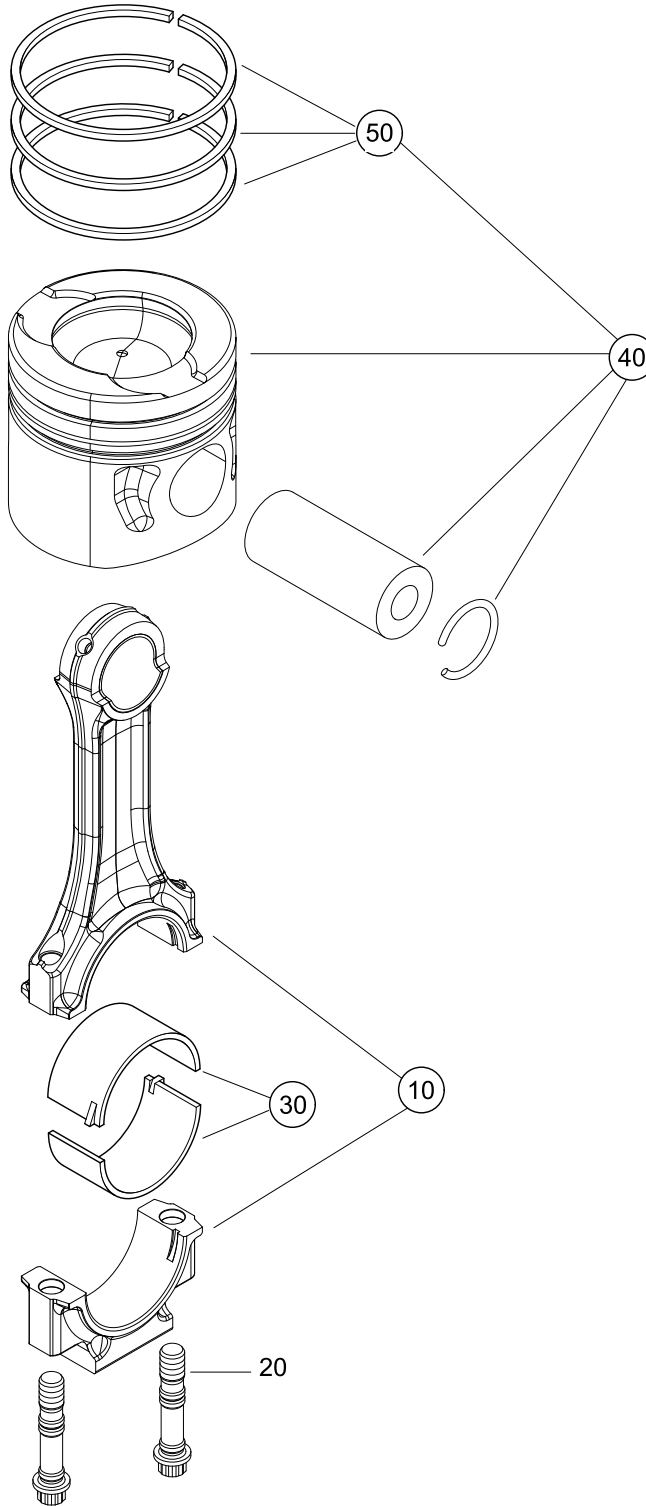
TA 0104



SE266 536
MARINE

PISTON, RINGS AND PIN, CONNECTION ROD

01046284-0



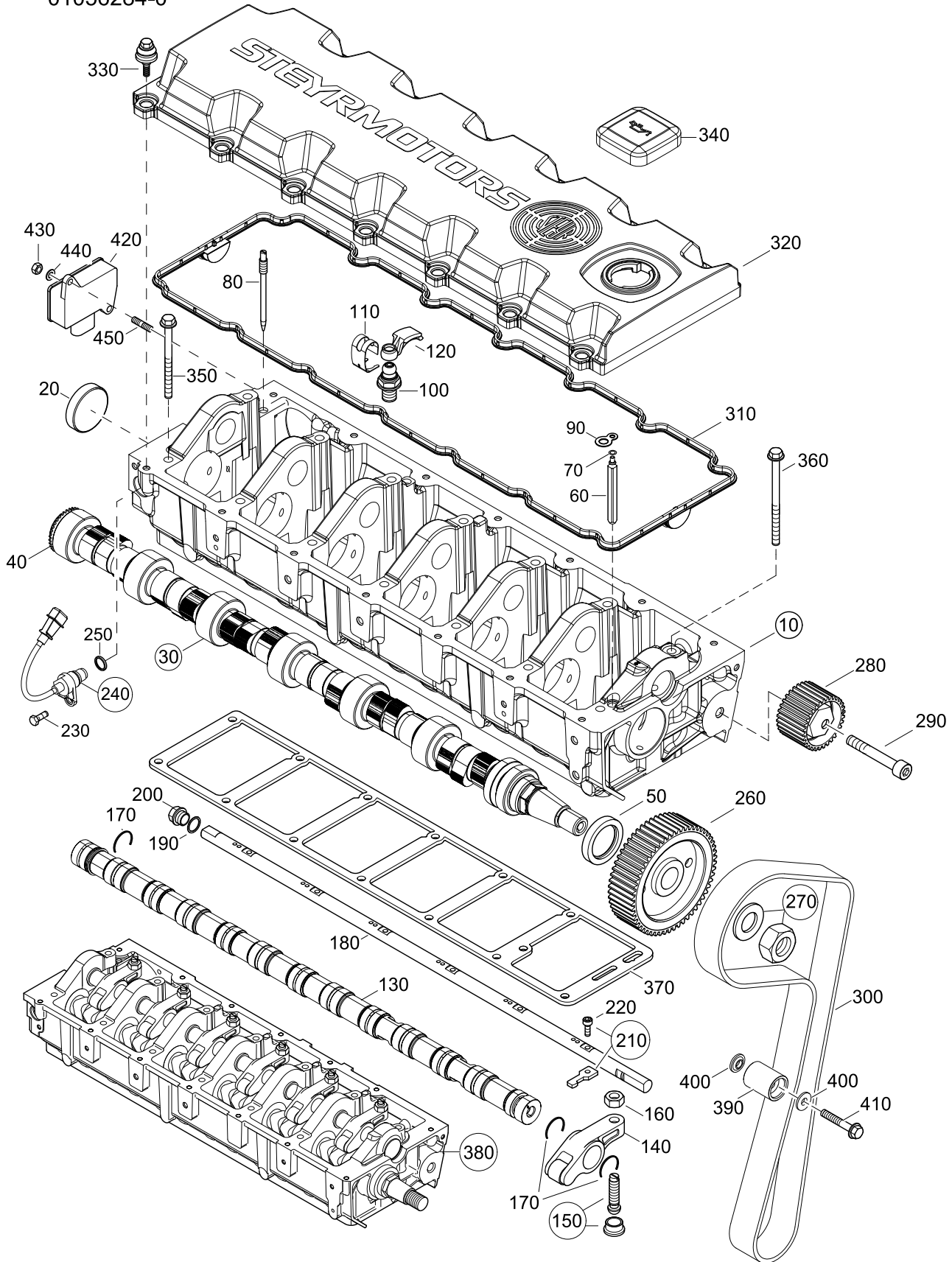


TA 0105

**SE266 536
MARINE**

CAMSHAFT HOUSING

01056284-0





CAMSHAFT HOUSING

**SE266 S36
MARINE**

01056284-0

Pos.	Part.-No.	Qty	Designation	Step
10	Z026100-0	1	CAMSHAFT HOUSING ASSY.	.2
20	2178083-0	1	CORE HOLE PLUG 50-7	..3
30	2178084-2	1	CAMSHAFT ASSY.	.2
40	2203280-1	1	SENSOR DISK	..3
50	2172086-1	1	ROTARY SHAFT SEAL	.2
60	2178486-2	1	AXLE SUPPORT	.2
70	2179278-0	1	O-RING 4,3x2,4	.2
80	2177513-2	1	GUIDE PIN CONTROL RACK	.2
90	2179251-0	1	LOCKING DEVICE, AXLE SUPPORT	.2
100	2174546-2	12	VALVE TAPPET ADJ. SCREW ASSY.	.2
110	2174552-0	12	RETAINING SPRING	.2
120	2177139-1	12	CAM FOLLOWER ASSY.	.2
130	2180860-0	1	ECCENTRIC SHAFT ASSY.	.2
140	Z002094-0	6	ROCKER ARM ASSY. (SPARE PART)	.2
150	Z002010-0	6	TAPPET ADJUSTER ASSY.	.2
160	3871310-0	6	HEX.NUT DIN934-M10x1-8	.2
170	2178796-0	14	CIRCLIP 26x1,2	.2
180	2205115-0	1	CONTROL RACK	.2
190	3098031-0	1	SEALING RING DIN 7603-A26x31-CU	.2
200	3962043-0	1	HEX.HD.SCR.PLUG DIN 7604-C-M26x1.5-ST-A3C	.2
210	Z002009-0	6	CONTROL LINK & BOLT	.2
220	3860140-0	1	HEX.SOCK. HD.CAP SCR. DIN 912-M5x20-LH-10.9	..3
230	3800238-0	1	HEX.HD.SCR. ISO 4017-M6x12-A2-70	.2
240	2176734-2	1	REVOLUTION SENSOR	.2
250	2176729-0	1	O-RING 17,17 x 1,78	..3
260	2177642-0	1	TIMING BELT PULLEY CAMSHAFT	.2
270	Z002011-0	1	NUT & WASHER, CAMSHAFT PULLEY	.2
280	2178548-5	1	IDLER PULLEY ASSY.	.2
290	3860155-0	1	HEX.SOCK. HD.CAP SCR. DIN 912-M10x70-10.9-DAC A500	.2
300	2179985-0	1	TIMING BELT	.2
310	2179921-0	1	SEALING, CAMSHAFT HSG-COVER	.2



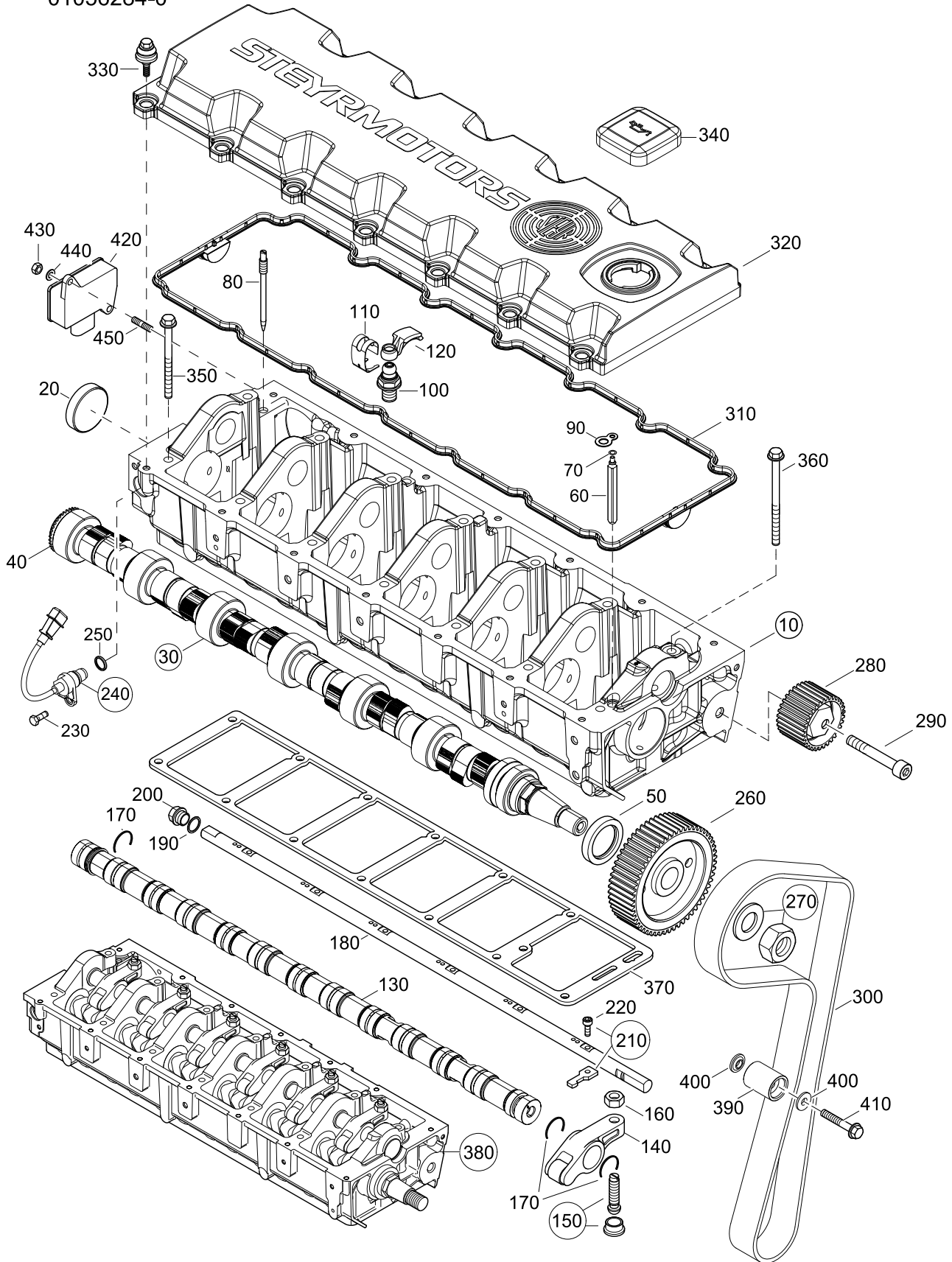


TA 0105

SE266 536
MARINE

CAMSHAFT HOUSING

01056284-0




CAMSHAFT HOUSING
SE266 S36
MARINE

01056284-0

Pos.	Part.-No.	Qty	Designation	Step
320	2179920-0	1	CAMSHAFT HOUSING COVER	.2
330	2040575-0	14	SCREW, COVER ACOUSTIC DECOUPLED	.2
340	2179942-0	1	FILLER CAP ENGINE OIL	.2
350	9000248-1	7	HEX.FLANGE BOLT EN 1665-M8x110-10.9-A2C	.2
360	9000785-0	7	HEX.FLANGE BOLT EN 1665-M8x135-12.9-A2C	.2
370	2205427-2	1	GASKET, CYL.BLOCK-CAMSHAFTHSG.	.2
380	Z026101-0	1	VALVE DRIVE ASSY. - POS.1-39	.2
390	2180317-0	2	IDLER PULLEY ASSY.	.2
400	2180318-0	4	DISTANCE WASHER	.2
410	9000349-0	2	HEX.FLANGE BOLT EN 1665-M8x40-8.8-A2C	.2
420	2205604-0	1	LINEAR-SENSOR	.2
430	3870051-0	2	HEX.NUT ISO 4032-M4-A2-70	.2
440	3930072-0	2	WASHER LARGE SERIES DIN 9021-4.3-A2	.2
450	9000499-0	2	SET SCREW DIN EN ISO 4029-M4x16-A2	.2



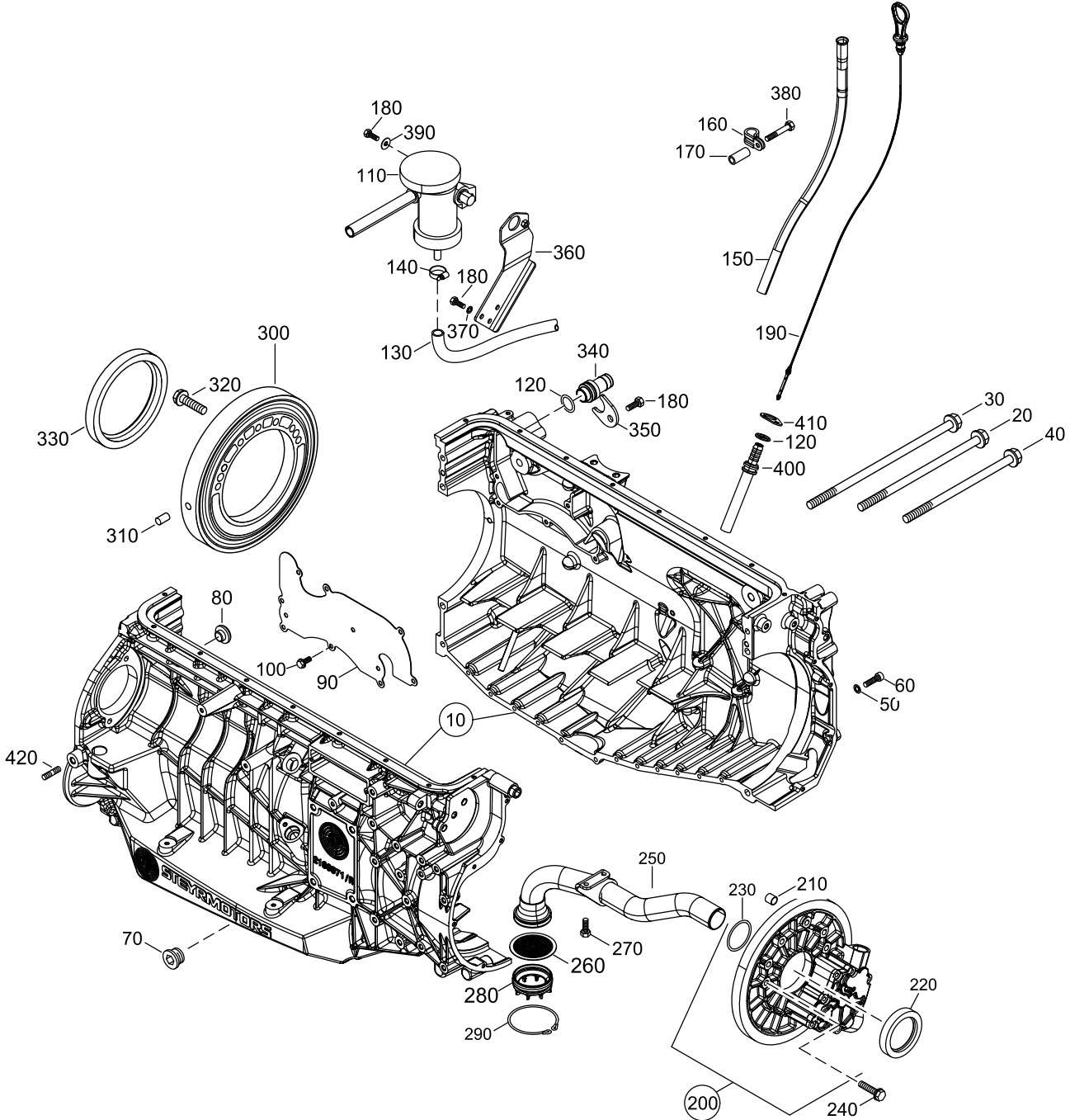


TA 0106

SE266 536
MARINE

OILPUMP, OILPIPE, OILPAN, OIL DIPSTICK

01066284-2





OILPUMP, OILPIPE, OILPAN, OIL DIPSTICK

**SE266 S36
MARINE**

01066284-2

Pos.	Part.-No.	Qty	Designation	Step
10	Z026103-0	1	ENGINE HOUSING ASSY.	.2
20	9000464-0	2	HEX.FLANGE BOLT EN 1665-M10x200-8.8-A3C	..3
30	9000463-0	2	HEX.FLANGE BOLT EN 1665-M10x250-8.8-A3C	..3
40	9000465-0	3	HEX.FLANGE BOLT EN 1665-M8x180-8.8-A2C	..3
50	3932008-0	12	SPRING WASHER DIN 137-B6-FST-A3C	..3
60	3862327-0	12	HEX.SOCK. HD.CAP SCR. DIN 912-M6x25-8.8-A2C	..3
70	9000590-0	2	HEX.SOCK.SCR.PLUG WITH RUBBER SEAL M22x1,5	..3
80	2174072-0	4	RUBBER PAD	..3
90	2180815-0	1	COVER PRE OIL SEPARATOR	..3
100	9000287-0	9	HEX.FLANGE BOLT EN 1665-M6x12-8.8-A3C	..3
110	Z002051-1	1	OIL SEPARATOR WITH PIPE	.2
120	2178310-1	2	O-RING 17x3,53	.2
130	2178287-2	1	HOSE, OIL DRAINL=560	.2
140	2174405-0	4	HOSE CLAMP 10-16/7,5 EN 10088-1	.2
150	2180818-0	1	TUBE OIL-DIPSTICK	.2
160	2178566-0	1	PIPE CLAMP RSGU1.15/15-W5	.2
170	2180895-0	1	DISTANCE SLEEVE	.2
180	3800233-0	6	HEX.HD.SCR. ISO 4017-M6x16-A2-70	.2
190	2180819-0	1	OIL DIP STICK ASSY.	.2
200	Z026102-0	1	OIL PUMP ASSY.	.2
210	2170298-0	2	FITTING SLEEVE	..3
220	2170276-1	1	ROTARY SHAFT SEAL	..3
230	2179991-0	1	O-RING 33x3,5	..3
240	9000278-0	6	HEX.FLANGE BOLT EN 1665-M8x35-8.8-A2C	.2
250	2180822-0	1	OILSUCTION PIPE ASSY.	.2
260	2200449-0	1	OIL STRAINER	.2
270	9000287-0	2	HEX.FLANGE BOLT EN 1665-M6x12-8.8-A3C	.2
280	2200450-0	1	SUCTION CAGE	.2
290	9000628-0	1	SNAP RING DIN 7993-A60	.2
300	2174992-1	1	SUPPORT RING REAR	.2
310	3901409-0	1	PARALLEL PIN ISO 2338-8m6x14-ST	.2



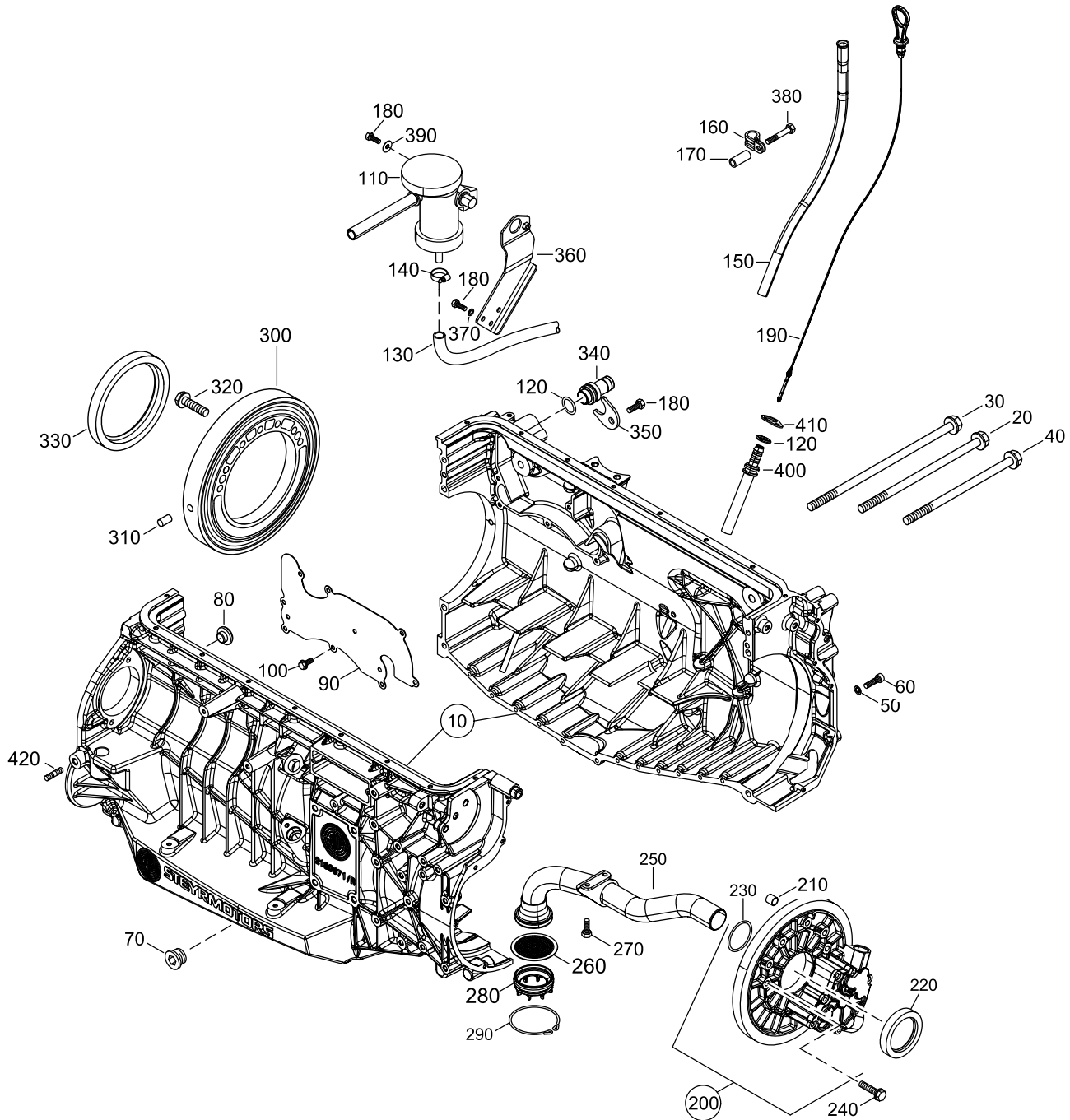


TA 0106

SE266 536
MARINE

OILPUMP, OILPIPE, OILPAN, OIL DIPSTICK

01066284-2





OILPUMP, OILPIPE, OILPAN, OIL DIPSTICK

**SE266 S36
MARINE**

01066284-2

Pos.	Part.-No.	Qty	Designation	Step
320	9000278-0	7	HEX.FLANGE BOLT EN 1665-M8x35-8.8-A2C	.2
330	2172289-1	1	ROTARY SHAFT SEAL	.2
340	2179544-0	1	FITTINGDM16	.2
350	2179543-0	1	CLAMPING PLATE	.2
360	2181045-0	1	BRACKET, OIL SEPARATOR	.2
370	3930070-0	3	WASHER DIN 125-6-140HV-A2	.2
380	9000537-0	1	HEX.FLANGE BOLT EN 1665-M6x30 A2-70	.2
390	9000012-0	1	WASHER LARGE SERIES DIN 9021-6.4-140HV-A2	.2
400	2180817-0	1	NOOZLE OIL DIP STICK	.2
410	2201476-0	1	MOUNTING PLATE	.2
420	9000478-0	1	STUDDIN 835-M10x25-A2-70	.2



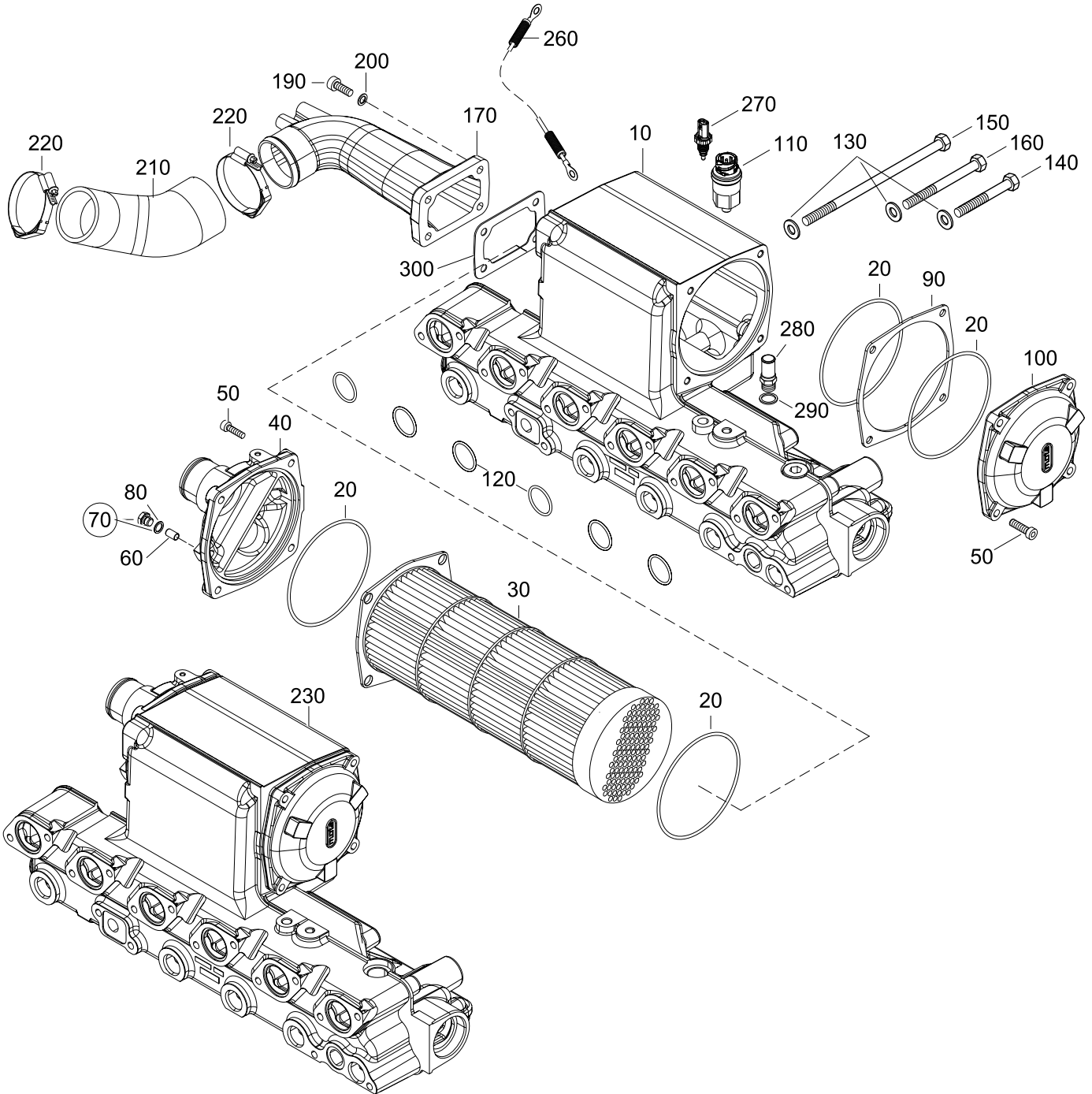


TA 0108

SE266 S36
MARINE

INTERCOOLER

01086284-2



INTERCOOLER	SE266 S36 MARINE
--------------------	-----------------------------

01086284-2

Pos.	Part.-No.	Qty	Designation	Step
10	Z026105-0	1	INTERCOOLER HOUSING, (PAINTED)	.2
20	2180010-0	4	O-RING 135x4	.2
30	2180877-0	1	INTERCOOLER	.2
40	Z026106-0	1	COVER INTERCOOLER REAR, PAINTED	.2
50	9000064-0	8	HEX.SOCK. HD.CAP SCR. DIN 912-M8x35-8.8-A3C	.2
60	2178413-1	1	ZINC ANODE	.2
70	Z002017-0	1	PLUG & SEAL FOR ZINC-ANODE	.2
80	3098020-0	1	SEALING RING DIN 7603-A18x22-CU	.3
90	2180012-0	1	SPACER, INTERCOOLER	.2
100	Z026107-0	1	COVER INTERCOOLER FRONT, PAINTED	.2
110	2180803-0	1	PRESSURE SENSOR 1-8 27 NPT	.2
120	Z026108-0	1	SEAL KIT, INTAKE MANIFOLD	.2
130	3930103-0	12	WASHER DIN 125-8.4-140HV-A2	.2
140	3800471-0	3	HEX.HD.BOLT ISO 4014-M8x90-8.8-A2C	.2
150	9000295-0	7	HEX.HD.BOLT ISO 4014-M8x220-8.8-A2C	.2
160	9000288-0	4	HEX.HD.BOLT ISO 4014-M8x140-8.8-A2C	.2
170	Z026109-0	1	PRESSURE PIPE (PAINTED)	.2
190	3862433-0	4	HEX.SOCK. HD.CAP SCR. DIN 912-M8x30-A2-70	.2
200	3930103-0	4	WASHER DIN 125-8.4-140HV-A2	.2
210	2180975-0	1	CHARGE AIR HOSE	.2
220	2181189-0	2	HOSE CLAMP WITH SPRING 50-70-12	.2
230	Z026104-0	1	INTERCOOLER ASSY. (PAINTED)	.2
260	2178968-0	1	GROUND WIRE	.2
270	2180962-0	1	CHARGE AIR TEMPERATURE SENSOR	.2
280	9000648-4	1	SCREW-IN SOCKET M22x1,5-22	.2
290	9000815-0	1	PROFILED GASKET DIN 3869-22-NBR	.2
300	2201914-0	1	GASKET	.2



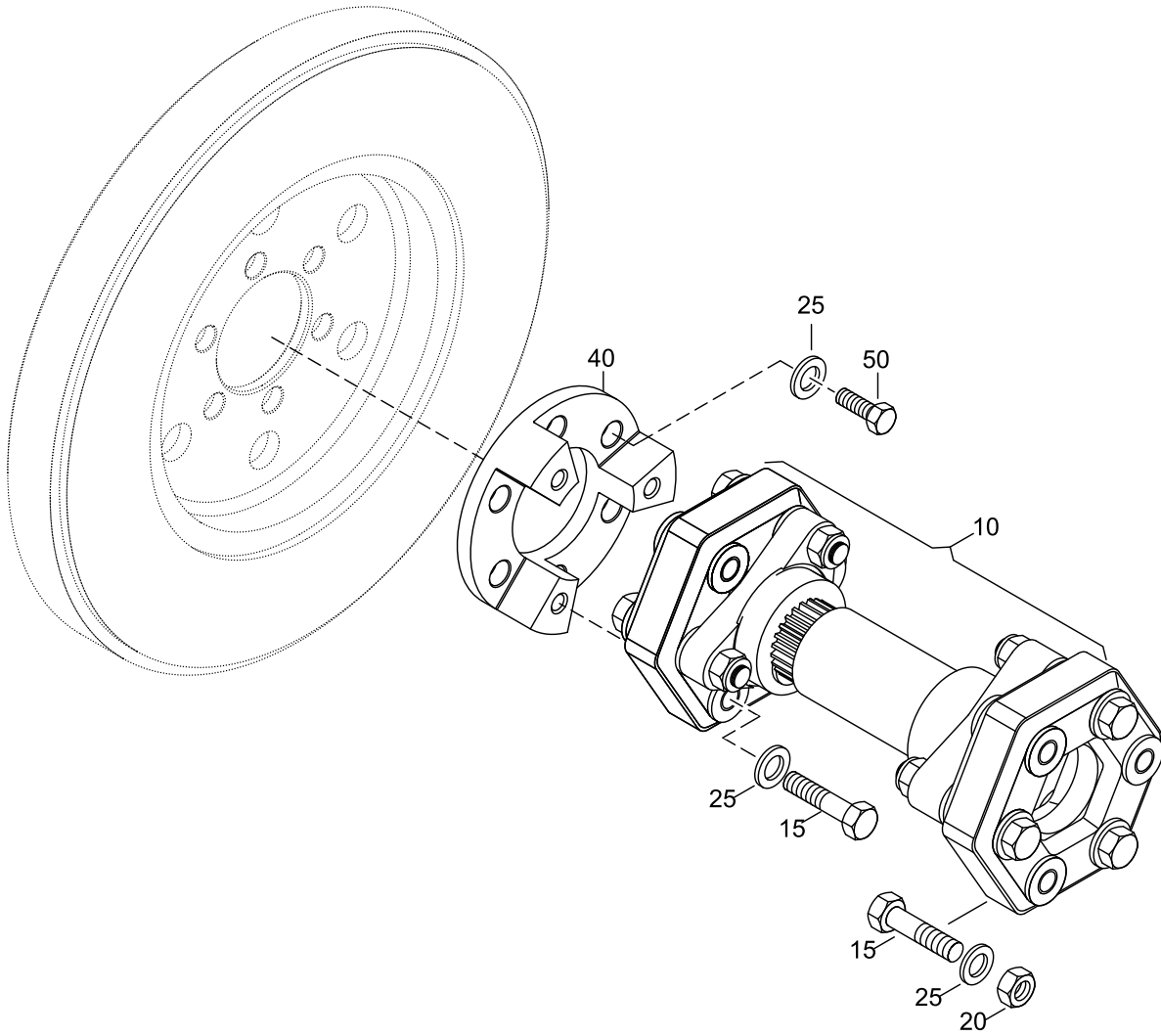


TA 0109

SE266 536
MARINE

POWER TAKE OFF FRONT

01096184-0



POWER TAKE OFF FRONT	SE266 S36 MARINE
-----------------------------	-----------------------------------

01096184-0

Pos.	Part.-No.	Qty	Designation	Step
10	2205329-0	1	ELASTIC SHAFT L=130-158	.2
15	3802451-0	6	HEX.HD.SCR. ISO 4017-M8x50-8.8-A2C	.2
20	3888722-0	3	HEX.NUT,PREVG.TORQUE DIN 985-M8-A2C	.2
25	3930103-0	6	WASHER DIN 125-8.4-140HV-A2	.2
40	2180391-0	1	ADAPTER RING	.2
50	9000603-0	6	HEX.SOCK. HD.CAP SCR. ISO 4762-M10x55-12.9	.2



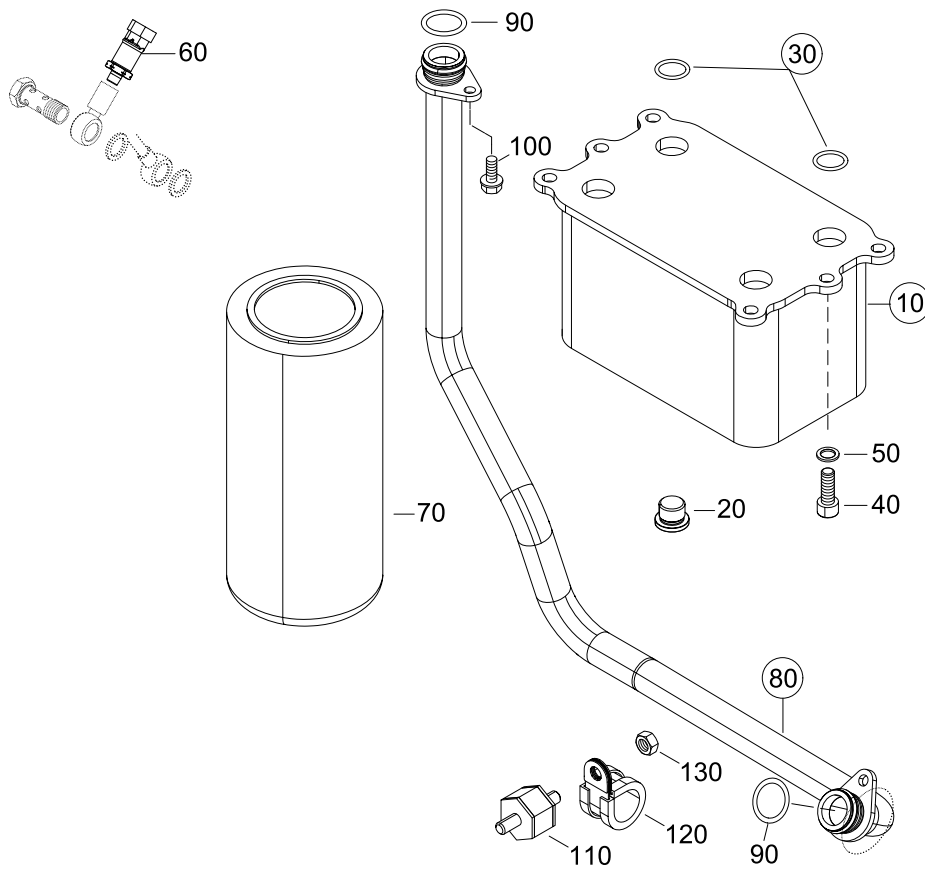


TA 0113

SE266 536
MARINE

OILCOOLER, OILFILTER

01136284-0



OILCOOLER, OILFILTER

SE266 536
MARINE

01136284-0

Pos.	Part.-No.	Qty	Designation	Step
10	Z026111-0	1	OILCOOLER (PAINTED)	.2
20	9000588-0	1	HEX.SOCK.SCR.PLUG WITH RUBBER SEAL M16x1,5	.3
30	Z026113-0	1	SEAL KIT, OIL COOLER	.2
40	9000063-0	6	HEX.SOCK. HD.CAP SCR. DIN 912-M8x20-A2-70	.2
50	3930070-0	6	WASHER DIN 125-6-140HV-A2	.2
60	2180804-0	1	PRESSURE SENSOR	.2
70	2179817-0	1	OIL FILTER CARTRIDGE	.2
80	Z026112-0	1	OIL PIPE ASSY. (PAINTED)	.2
90	2177249-0	2	O-RING 22x3	.3
100	9000273-0	2	HEX.FLANGE BOLT EN 1665-M6x16-8.8-A2C	.2
110	2177619-1	1	SILENT BLOCK M8	.2
120	2201127-0	1	PIPE CLAMP RSGU1.22-20	.2
130	9000056-1	1	HEX.FLANGE NUT DIN 6923-M8-8-A2C	.2



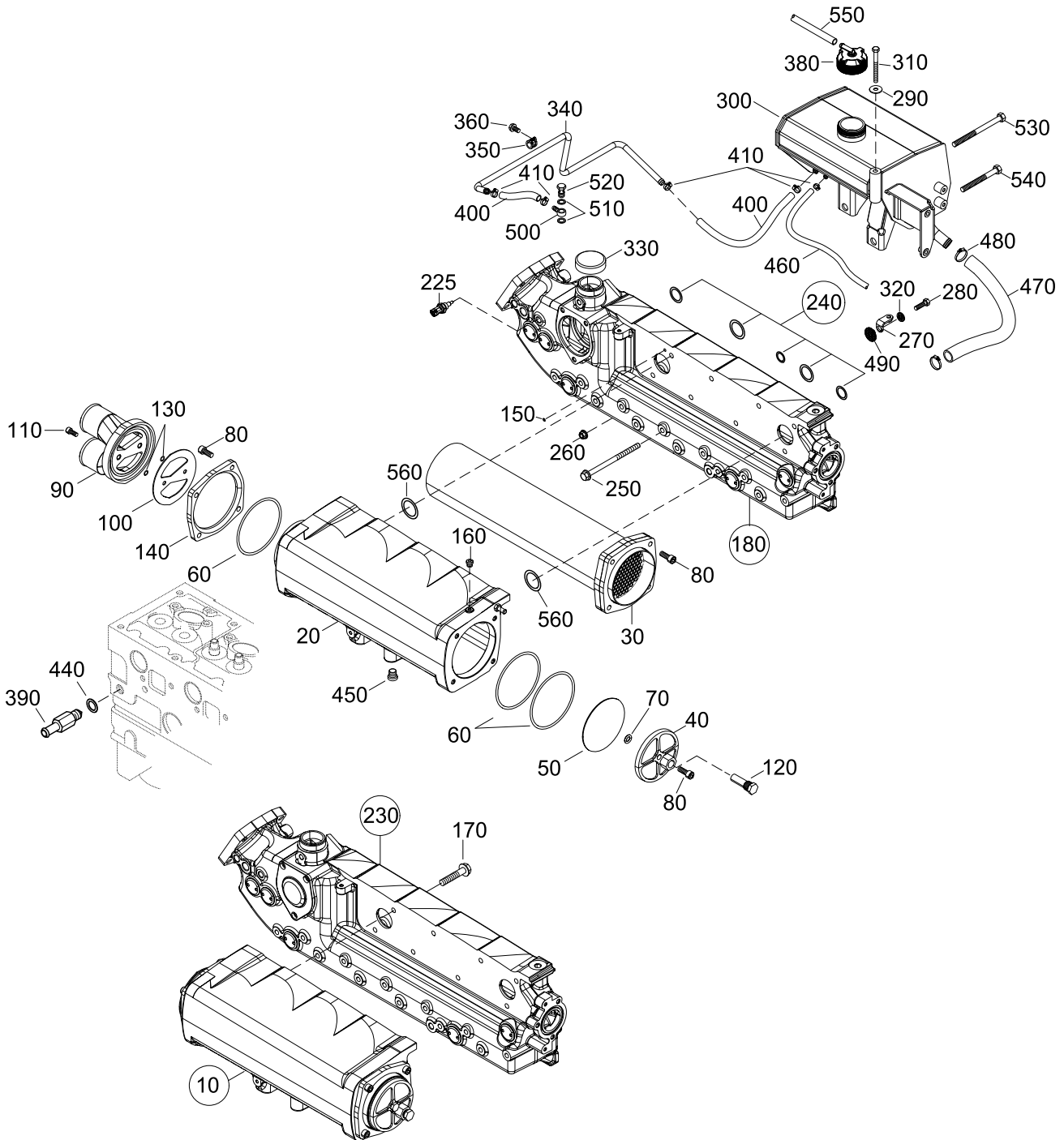


TA 0114

SE266 536
MARINE

EXHAUST, HEAT EXCHANGER, GASKETS

01146284-0





EXHAUST, HEAT EXCHANGER, GASKETS

**SE266 S36
MARINE**

01146284-0

Pos.	Part.-No.	Qty	Designation	Step
10	Z026115-0	1	HEAT EXCHANGER ASSY. (PAINTED)	.2
20	Z026116-0	1	HEAT EXCHANGER HOUSING (PAINTED)	..3
30	2180883-0	1	HEAT EXCHANGER	..3
40	Z026117-0	1	COVER HEAT EXCHANGER FRONT (PAINTED)	..3
50	2180885-0	1	GASKET, HEAT EXCHANGER COVER	..3
60	9001129-0	3	O-RING	..3
70	9001130-0	1	O-RING	..3
80	9001128-0	9	HEX.SOCK. HD.CAP SCR. DIN 912-M8x25-A2-70	..3
90	2181092-0	1	COVER, HEAT EXCHANGER	..3
100	2181093-0	1	GASKET, HEAT EXCHANGER COVER	..3
110	9001088-0	2	HEX.SOCK. HD.CAP SCR. DIN 912-M6x25-A2-70	..3
120	2181091-0	1	ZINC ANODE	..3
130	9001181-0	2	O-RING	..3
140	2181090-0	1	FLANGE PLATE, HEAT EXCHANGER	..3
150	2173533-0	1	O-RING 5,23 x 2,62	.2
160	9000585-0	1	HEX.SOCK.SCR.PLUG WITH RUBBER SEAL M10x1	.2
170	9000304-0	8	HEX.FLANGE BOLT EN 1665-M8x60-8.8-A2C	.2
180	Z026114-0	1	EXHAUST MANIFOLD ASSY. (PAINTED)	.2
225	2180773-0	1	COOLANT TEMPERATURE SENSOR	.2
230	Z026118-0	1	EXHAUST MANIFOLD ASSY. W. THERMOSTAT (PAINTED)	.2
240	Z002652-0	1	SEAL KIT, EXH.MANIF - BLOCK 6 CYL.MARINE (O-RINGS)	.2
250	9000785-0	12	HEX.FLANGE BOLT EN 1665-M8x135-12.9-A2C	.2
260	3880049-0	3	HEX.FLANGE NUT DIN 6923-M6-A2-70	.2
270	2181222-0	1	BRACKET EXPANSION TANK	.2
280	9001088-0	1	HEX.SOCK. HD.CAP SCR. DIN 912-M6x25-A2-70	.2
290	9000012-0	1	WASHER LARGE SERIES DIN 9021-6.4-140HV-A2	.2
300	Z026156-0	1	EXPANSION TANK	.2
310	3800223-0	1	HEX.HD.SCR. ISO 4017-M6x60-A2-70	.2
320	2201540-0	3	WASHER, W. KNITTED WIRE MESH	.2
330	Z021020-0	1	SEALING CAP COOLER	.2
340	2180828-0	1	PIPE WATER EXPANSION TANK	.2



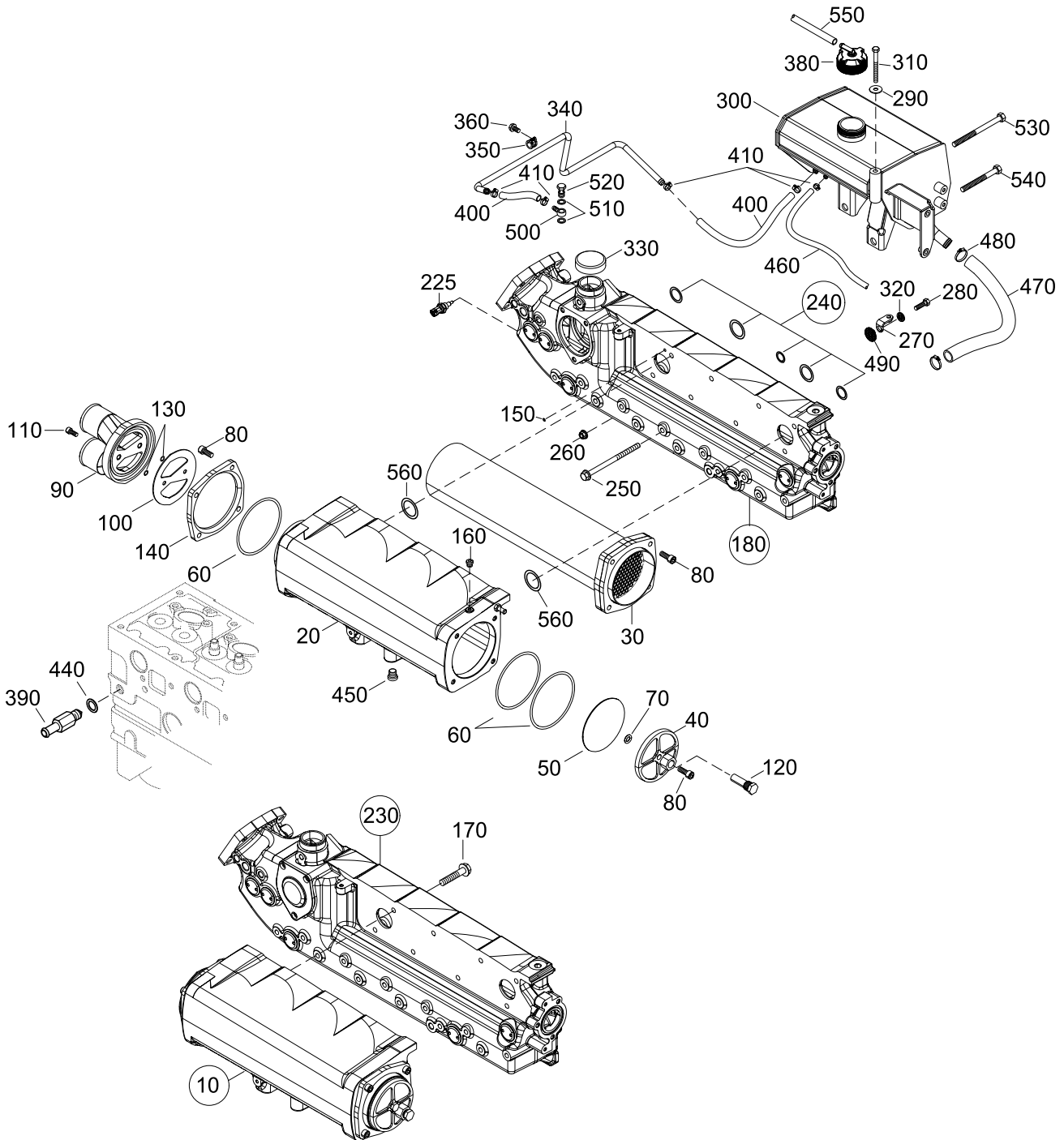


TA 0114

SE266 536
MARINE

EXHAUST, HEAT EXCHANGER, GASKETS

01146284-0



EXHAUST, HEAT EXCHANGER, GASKETS

**SE266 S36
MARINE**

01146284-0

Pos.	Part.-No.	Qty	Designation	Step
350	2205232-1	2	CLAMP RS1.8/15-W1	.2
360	9001001-0	2	HEX.FLANGE BOLT EN 1665-M6x16-A2-70	.2
380	2181153-0	1	RADIATOR CAP	.2
390	2180843-0	1	DRAIN COCK ASSY.	.2
400	2178621-1	0.7	HOSE	.2
410	9001150-0	4	HOSE CLAMP 9,8-12,3	.2
440	3098015-0	1	SEALING RING DIN 7603-A14x20-CU	.2
450	9000587-0	1	HEX.SOCK.SCR.PLUG WITH RUBBER SEAL M14x1,5	.2
460	2203489-0	0.7	HOSE DN4, DMI=6	.2
470	2178942-0	1	HOSE	.2
480	2177753-0	2	HOSE CLAMP 16-25/9 EN 10088-1	.2
490	2201541-0	3	SLEEVE, W. KNITTED WIRE MESH	.2
500	2174383-0	1	BANJO	.2
510	3098015-0	2	SEALING RING DIN 7603-A14x20-CU	.2
520	9000053-0	1	HOLLOW SCREW M14x1,5 DIN 7643-10-ZN/NI	.2
530	3800493-0	1	HEX.HD.BOLT ISO 4014-M8x150-8.8-A2C	.2
540	9000329-0	1	HEX.HD.BOLT ISO 4014-M8x115-A4-70	.2
550	2200609-0	0.85	VACUUM HOSE ID=6.3mm	.2
560	2179099-0	2	O-RING	.2



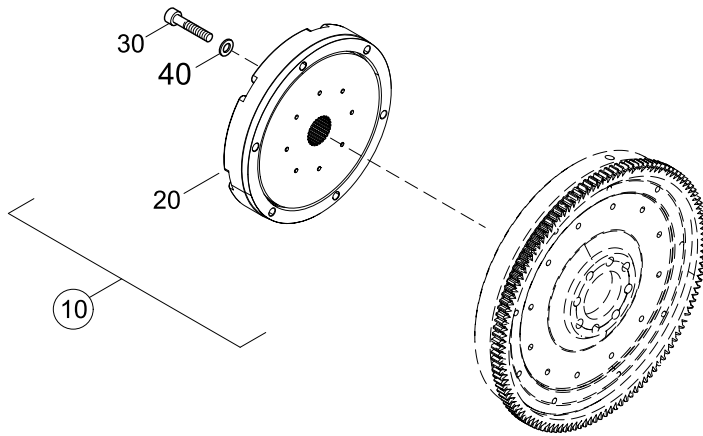


TA 0200

SE266 536
MARINE

TORSIONAL COUPLING

02006284-0



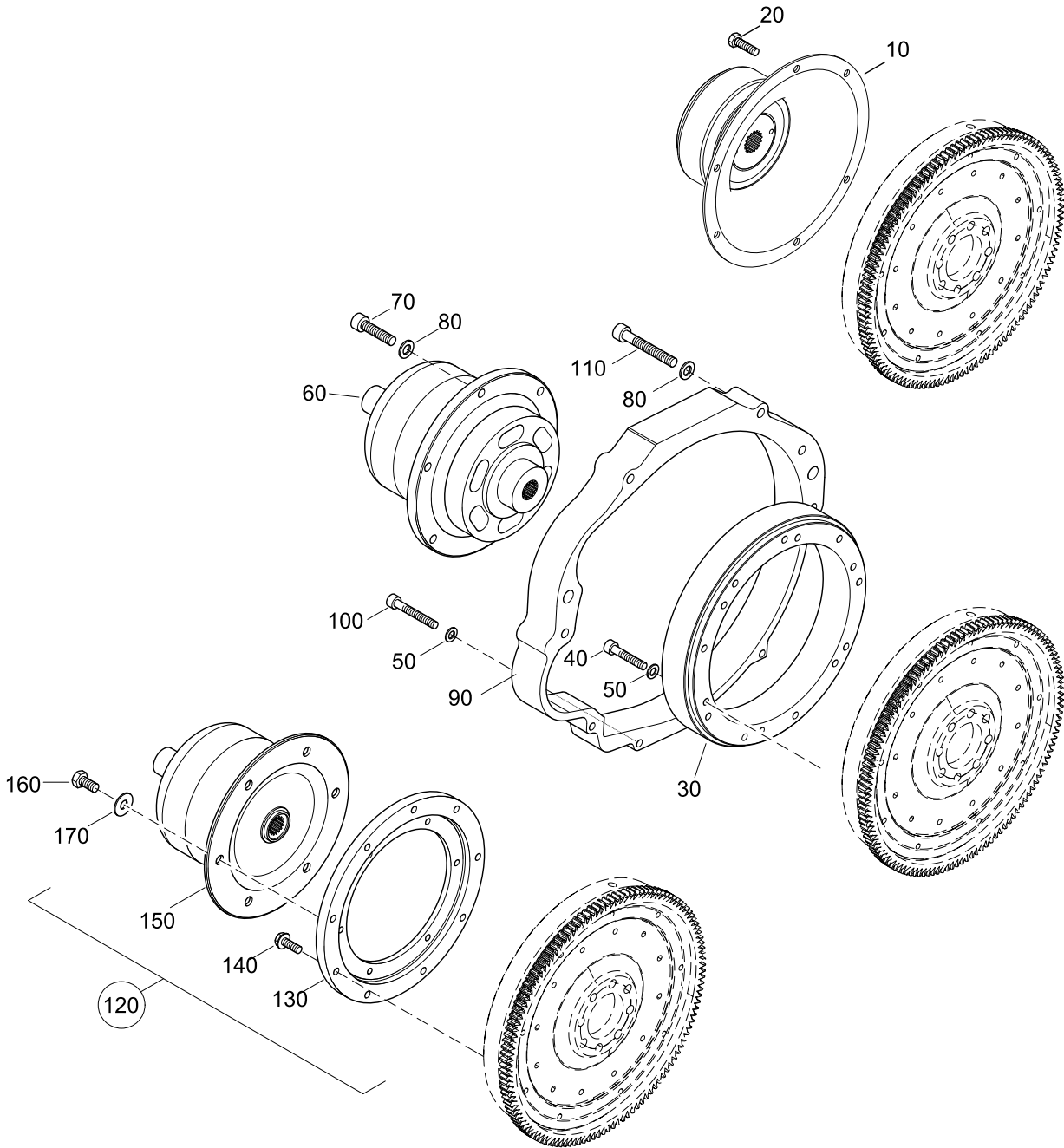


TA 0210

SE266 536
MARINE

COUPLER

02106284-0





COUPLER

**SE266 S36
MARINE**

02106284-0

Pos.	Part.-No.	Qty	Designation	Step
10	Z021002-0	1	S.P. COUPLER	.2
20	9000305-0	6	HEX.FLANGE BOLT EN 1665-M8x20-10.9-DAC	.2
30	2179073-0	1	ADAPTER FLY-WHEEL MERCURY DUAL STAGE	.2
40	3862452-0	9	HEX.SOCK. HD.CAP SCR. DIN 912-M8x50-8.8-A2C	.2
50	3930103-0	13	WASHER DIN 125-8.4-140HV-A2	.2
60	2178860-S	1	COUPLER MERCURY-BRAVO DUAL STAGE	.2
70	3860149-0	6	HEX.SOCK. HD.CAP SCR. DIN 912-M10x40-8.8-A3C	.2
80	3930075-0	11	WASHER DIN 125 A10.5-140HV-A2	.2
90	2179072-9	1	INTERMEDIATE FLANGE PAINTED	.2
100	3862478-0	4	HEX.SOCK. HD.CAP SCR. DIN 912-M8x80-8.8-A2C	.2
110	3862680-0	5	HEX.SOCK. HD.CAP SCR. DIN 912-M10x90-8.8-A2C	.2
120	Z002066-4	1	COUPLING KIT MERCURY-BRAVO STERN-DRIVE (COM.)	.2
130	2179078-0	1	ADAP. FLY-WHEEL MERCURY 6 CYL. (COM.)	.3
140	9000431-0	9	HEX.FLANGE BOLT EN 1665-M8x30-10.9-DAC	.3
150	2178860-M	1	COUPLER MERCURY	.3
160	3802515-0	6	HEX.HD.SCR. ISO 4017-M10x20-8.8-A3C	.3
170	3930075-0	6	WASHER DIN 125 A10.5-140HV-A2	.3



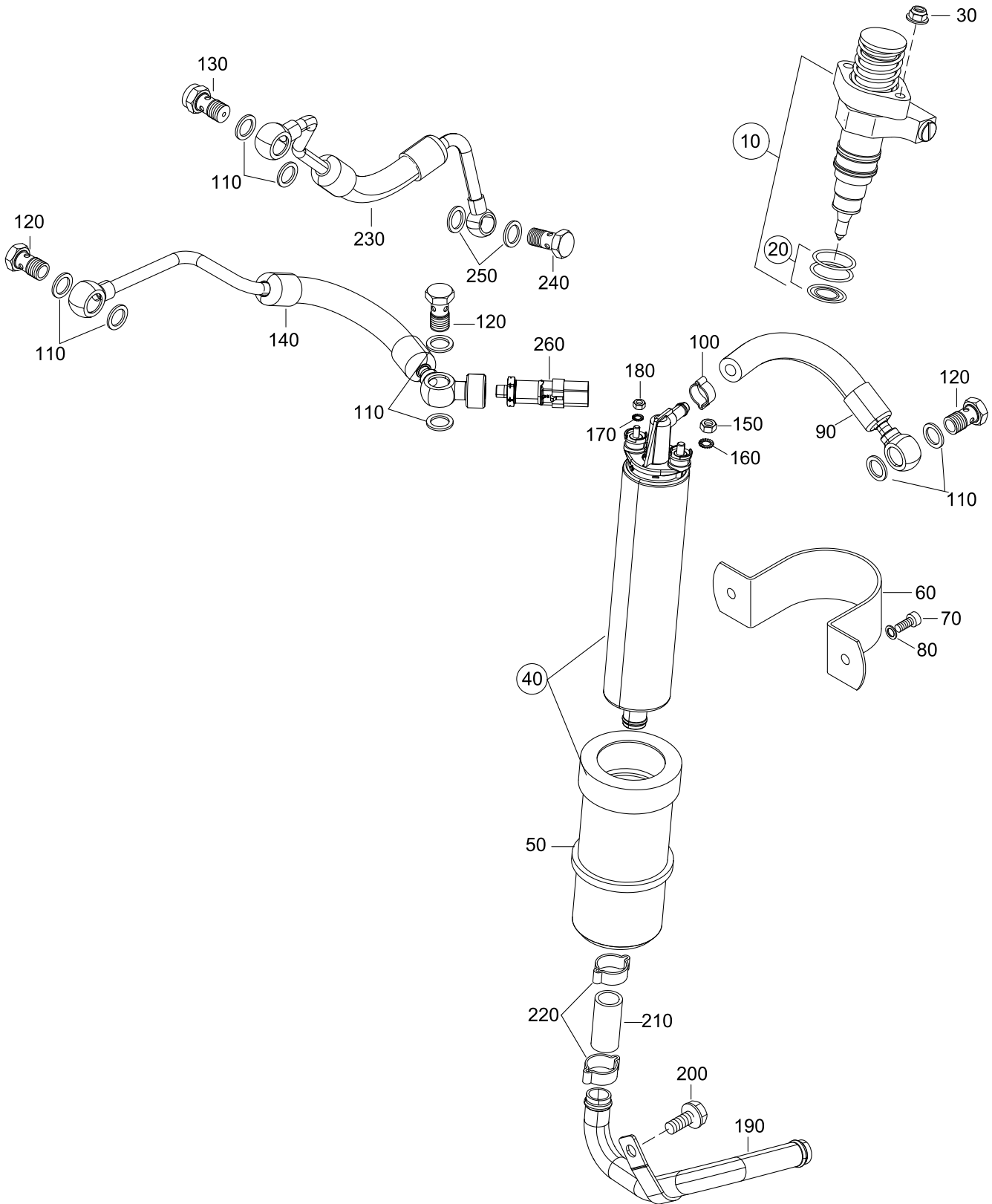


TA 0302

SE266 536
MARINE

FUEL PUMP, UNIT INJECTOR, PIPE

03026284-0





FUEL PUMP, UNIT INJECTOR, PIPE

SE266 S36
MARINE

03026284-0

Pos.	Part.-No.	Qty	Designation	Step
10	Z002030-E	6	UNIT INJECTOR + SEALINGS	.2
20	Z002031-0	1	SEAL KIT, UNIT INJECTOR	..3
30	9000056-1	12	HEX.FLANGE NUT DIN 6923-M8-8-A2C	.2
40	2179828-0	1	FUEL PUMP 12V ASSY. (INCL. ISOLATING SLEEVE)	.2
50	2173396-I	1	ISOLATING SLEEVE FUEL PUMP	..3
60	9001071-0	1	CLAMP RS2.53/20-W5	.2
70	9000063-0	2	HEX.SOCK. HD.CAP SCR. DIN 912-M8x20-A2-70	.2
80	3930103-0	2	WASHER DIN 125-8.4-140HV-A2	.2
90	2180865-0	1	FUEL HOSE PUMP-FILTER	.2
100	2178995-0	1	HOSE CLAMP 17,5mm	.2
110	9001171-0	8	BOUNDED SEAL 14x20x1,5	.2
120	9000053-0	3	HOLLOW SCREW M14x1,5 DIN 7643-10-ZN/NI	.2
130	2178572-2	1	HOLLOW SCREW THROTTLED M14x1,5	.2
140	2180891-0	1	FUEL HOSE ASSY.	.2
150	3870050-0	1	HEX.NUT DIN 934-M5-A2-70	.2
160	9000040-0	1	TOOTHED LOCK WASHER EXTERN. DIN 6797-A5.3-1.4310	.2
170	9000039-0	1	TOOTHED LOCK WASHER EXTERN. DIN 6797-A4.3-1.4310	.2
180	3870051-0	1	HEX.NUT ISO 4032-M4-A2-70	.2
190	2180851-0	1	FUEL PIPE	.2
200	9000305-0	1	HEX.FLANGE BOLT EN 1665-M8x20-10.9-DAC	.2
210	2181215-0	1	FUEL SUPPLY HOSE PUMP - FILTER	.2
220	2180670-0	2	HOSE CLAMP 27mm	.2
230	2180892-0	1	FUEL HOSE ASSY. BLOCK - COOLER	.2
240	11868	1	HOLLOW SCREW M12x1,5 DIN 7643-8-3-A3C	.2
250	9001170-0	2	BOUNDED SEAL 12x18x1,5	.2
260	2180804-0	1	PRESSURE SENSOR	.2





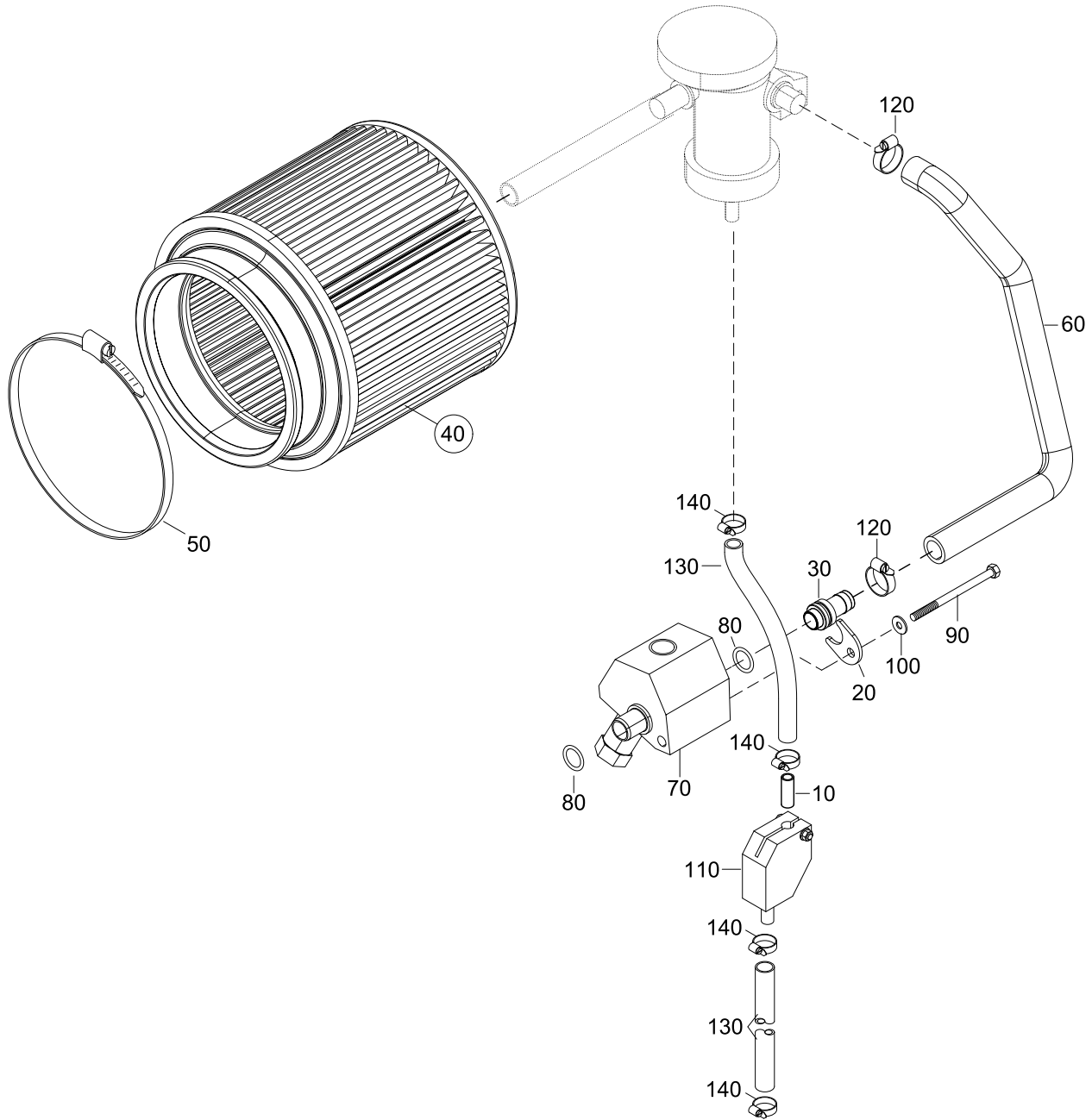
TA 0304



SE266 536
MARINE

AIRFILTER, INVERSIONVALVE SOLAS

03046284-0



AIRFILTER, INVERSIONVALVE SOLAS

SE266 S36
MARINE

03046284-0

Pos.	Part.-No.	Qty	Designation	Step
10	2179550-0	1	PIPE	.2
20	2179543-0	1	CLAMPING PLATE	.2
30	2179544-0	1	FITTINGDM16	.2
40	Z002100-4	1	AIR FILTER + HOSE CLAMP	.2
50	2179195-0	1	HOSE CLAMP 110-130/9	..3
60	2180894-0	1	MOULDED HOSE OIL SEPARATOR	.2
70	2179069-9	1	BALL VALVE ASSY. (PAINTED)	.2
80	2178310-1	2	O-RING 17x3,53	.2
90	9000452-0	1	HEX.HD.BOLT ISO 4014-M6x75-A2-70	.2
100	9000012-0	1	WASHER LARGE SERIES DIN 9021-6.4-140HV-A2	.2
110	2179070-9	1	BALL VALVE ASSY. (PAINTED)	.2
120	2177753-0	2	HOSE CLAMP 16-25/9 EN 10088-1	.2
130	2178287-2	1	HOSE, OIL DRAINL=560	.2
140	2174405-0	2	HOSE CLAMP 10-16/7,5 EN 10088-1	.2



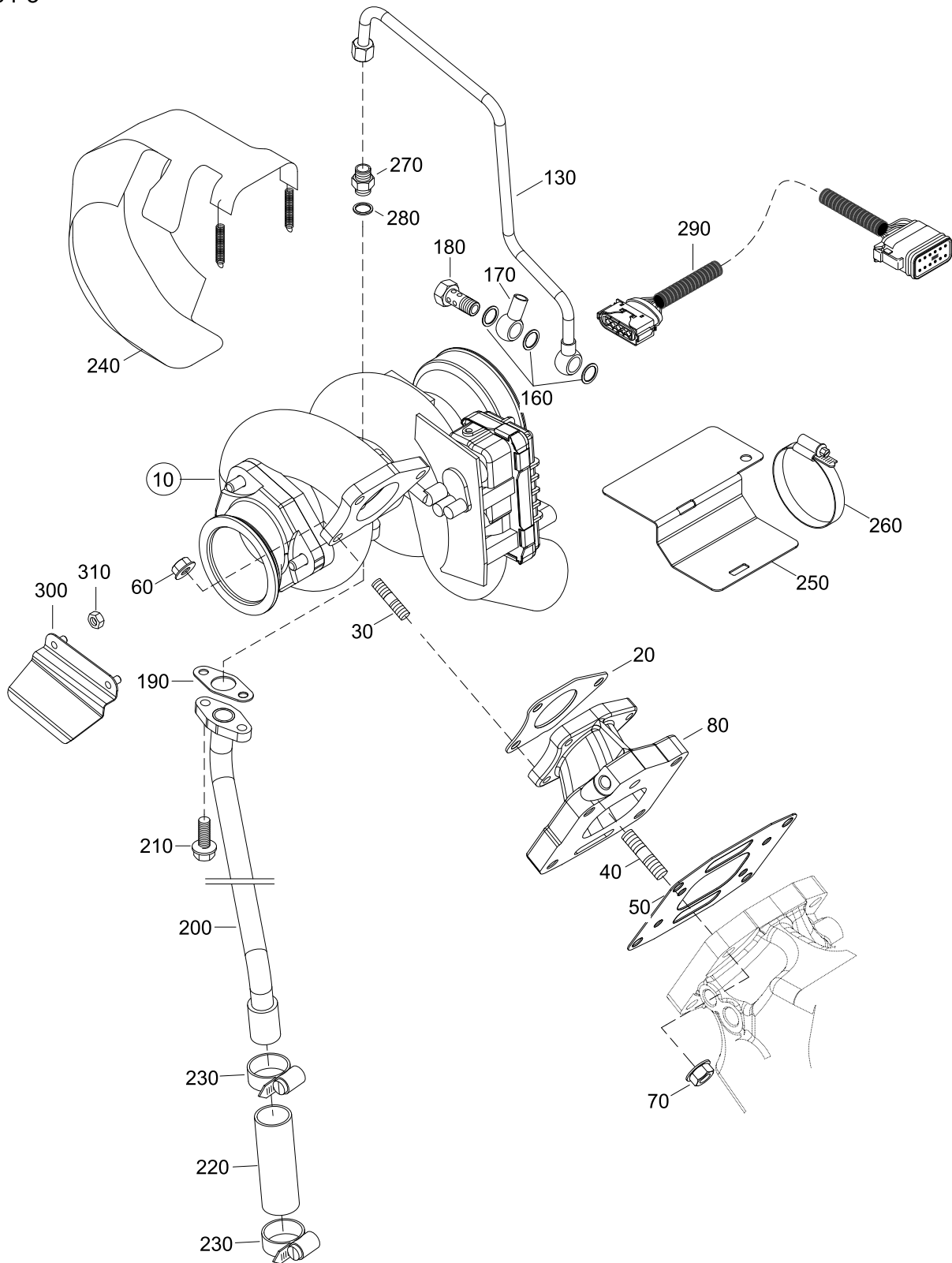


TA 0305

SE266 536
MARINE

TURBO

03056284-3



TURBO	SE266 536 MARINE
--------------	-----------------------------

03056284-3

Pos.	Part.-No.	Qty	Designation	Step
10	Z026148-0	1	TURBOASSY. (PAINTED)	.2
20	2181053-0	1	GASKET TURBOCHARGER	.2
30	2203778-2	3	STUD HEAT-RESISTANT STEEL M8x20	.2
40	9000515-0	4	STUD DIN 835-M10x30-8.8-A3C	.2
50	2178487-4	1	GASKET, TURBOCHARGER	.2
60	2178640-0	6	HEX.FL. NUT, PREVG.TORQUE HEAT RESIST. EN 1664-M8-C2U-GA	.2
70	9000042-1	4	HEX.FLANGE NUT DIN 6923-M10-8-A3C	.2
80	2181009-0	1	INTERMEDIATE FLANGE ASSY.	.2
130	2180940-0	1	OIL SUPPLY PIPE TURBO ASSY.	.2
160	3098013-0	3	SEALING RING DIN 7603-A12x18-CU	.2
170	2203772-0	1	BRACKET OIL PRESSURE SENSOR	.2
180	2203591-0	1	DOUBLE HOLLOW SCREW M12x1,5 DIN 7643-8	.2
190	2203278-0	1	GASKET OIL-RETURN TURBOCHARGER	.2
200	2180939-0	1	OIL RETURN PIPE TURBO ASSY.	.2
210	3802321-0	2	HEX.HD.SCR. ISO 4017-M6x16-8.8-A2C	.2
220	2178298-1	1	HOSE, OIL RETURN	.2
230	2177464-0	2	CLAMP 20-32/12	.2
240	2181113-0	1	HEATPROTECTING TURBO	.2
250	2181223-0	1	HEAT PROTECTING SHEET, TURBO	.2
260	2174407-0	1	HOSE CLAMP 40-60/9	.2
270	2181231-0	1	PIPE UNION ADAPTOR	.2
280	3098010-0	1	SEALING RING DIN 7603-A10x13.5-CU	.2
290	2181124-0	1	HARNESS, VTG	.2
300	2181198-0	1	HEAT PROTECTING SHEET, TURBO	.2
310	3870050-0	2	HEX.NUT DIN 934-M5-A2-70	.2



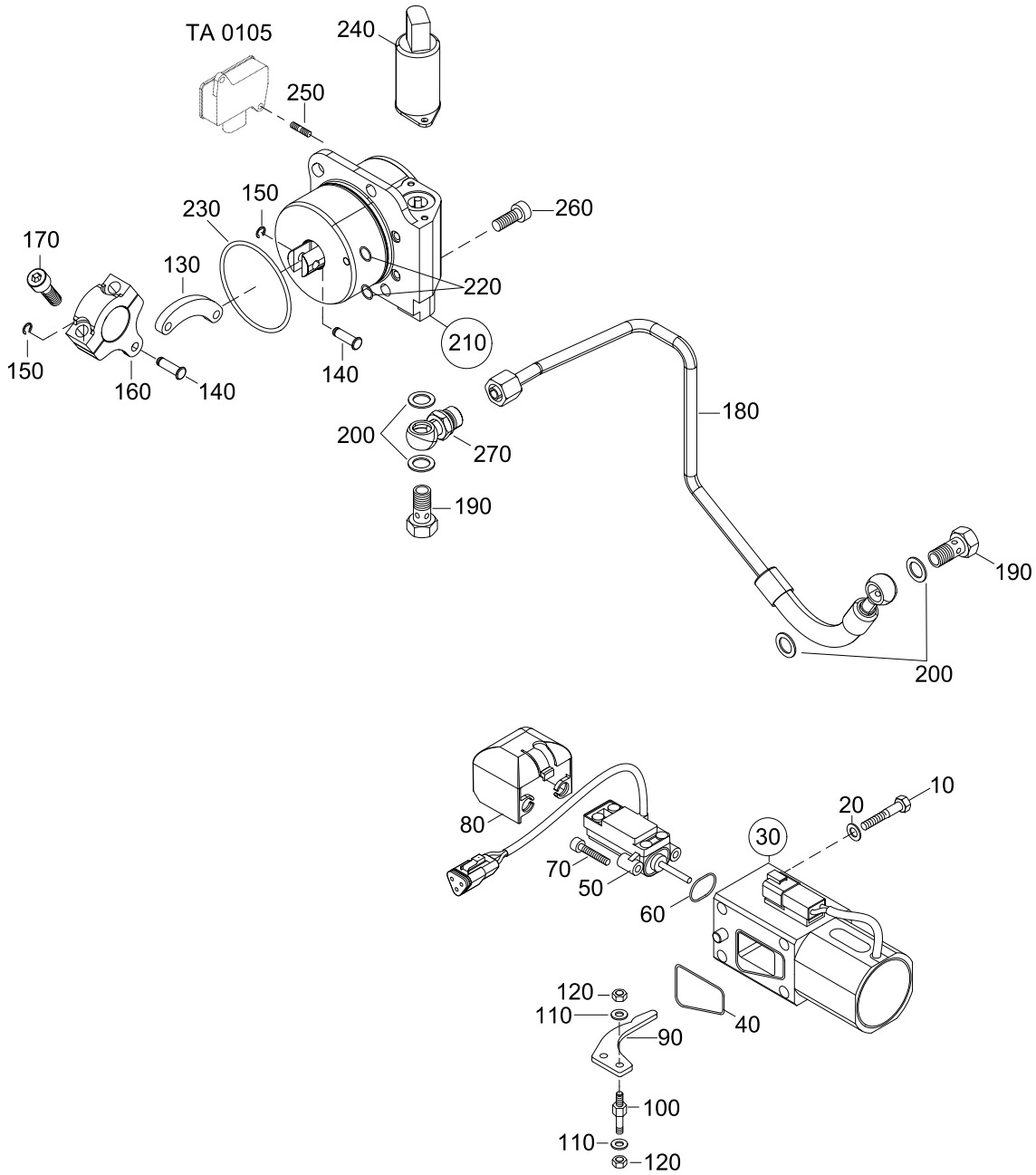


TA 0308

SE266 536
MARINE

CONTR. SOLENOID, INJEC. TIMING DEVICE

03086284-0





CONTR. SOLENOID, INJEC. TIMING DEVICE

**SE266 S36
MARINE**

03086284-0

Pos.	Part.-No.	Qty	Designation	Step
10	9000446-1	4	HEX.HD.BOLT ISO4014-M8x70-A4-70	.2
20	3930103-0	4	WASHER DIN 125-8.4-140HV-A2	.2
30	Z002153-0	1	CONTROL SOLENOID W. SENSOR CONTROL RACK POSITION	.2
40	2179707-0	1	O-RING 43x3,5	..3
50	Z002160-0	1	SENSOR, CONTROL RACK POSITION	..3
60	2179708-0	1	O-RING 18x1,5	..3
70	9000116-1	2	HEX.SOCK. HD.CAP SCR. DIN 912-M5x20-A2-70	..3
80	2179766-0	1	PROTECTING CAP, RACK-SENSOR	..3
90	2176745-2	1	CONTROL-LEVER	.2
100	2176746-1	2	DISTANCE-SHAFT	.2
110	3931062-0	4	SPRING LOCK WASHER DIN 127-B5-FST-A3C	.2
120	3871222-0	4	HEX.NUT ISO 4032-M5-8-A2C	.2
130	2205591-0	1	CONNECTING ROD	.2
140	2205593-0	2	PARALLEL PIN	.2
150	9000483-0	2	RETAINING WASHER F.SHAFT DIN 6799-5	.2
160	2020574-0	1	TORSION ARM ASSY.	.2
170	9000737-0	2	HEX.SOCK. HD.CAP SCR. DIN 912-M8x25-10.9	.2
180	2180821-0	1	OIL SUPPLY PIPE ASSY. ITD	.2
190	11868	2	HOLLOW SCREW M12x1,5 DIN 7643-8-3-A3C	.2
200	9001170-0	4	BOUNDED SEAL 12x18x1,5	.2
210	Z026135-0	1	INJECTION TIMING DEVICE ASSY. (SPARE PART)	.2
220	2179365-0	2	O-RING 5x1,5	..3
230	2179369-0	1	O-RING 66,4x1,78	..3
240	2179382-0	1	MAGNETIC VALVE - ITD	..3
250	9000499-0	2	SET SCREW DIN EN ISO 4029-M4x16-A2	..3
260	9000063-0	3	HEX.SOCK. HD.CAP SCR. DIN 912-M8x20-A2-70	.2
270	2180866-0	1	BANJO	.2



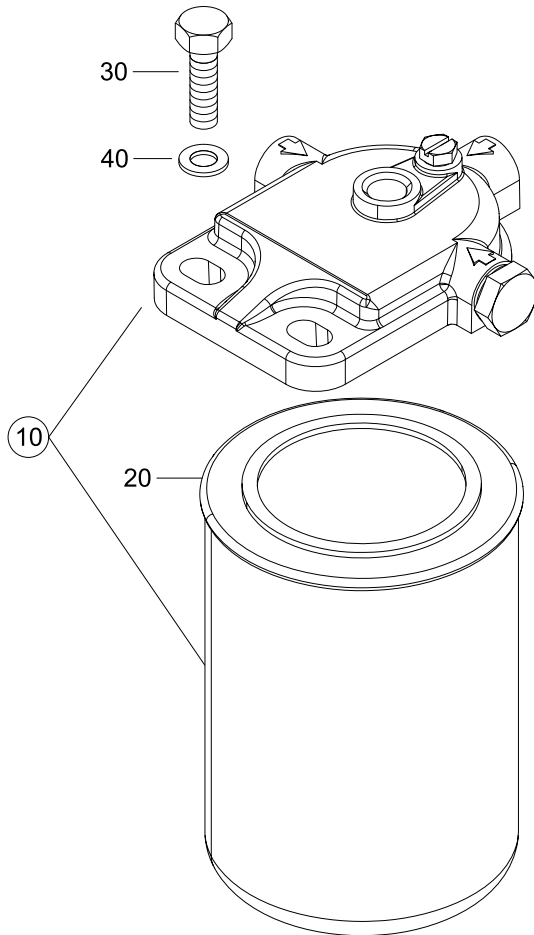


TA 0309

SE266 536
MARINE

FUEL FILTER

03096284-0





FUEL FILTER

SE266 S36
MARINE

03096284-0

Pos.	Part.-No.	Qty	Designation	Step
10	Z026121-0	1	FILTER BRACKET W. FUEL FILTER ASSY.	.2
20	2180831-0	1	FUEL FILTER CARTRIDGE	.3
30	3802523-0	2	HEX.HD.SCR. ISO 4017-M10x25-8.8-A3C	.2
40	3930075-0	2	WASHER DIN 125 A10.5-140HV-A2	.2



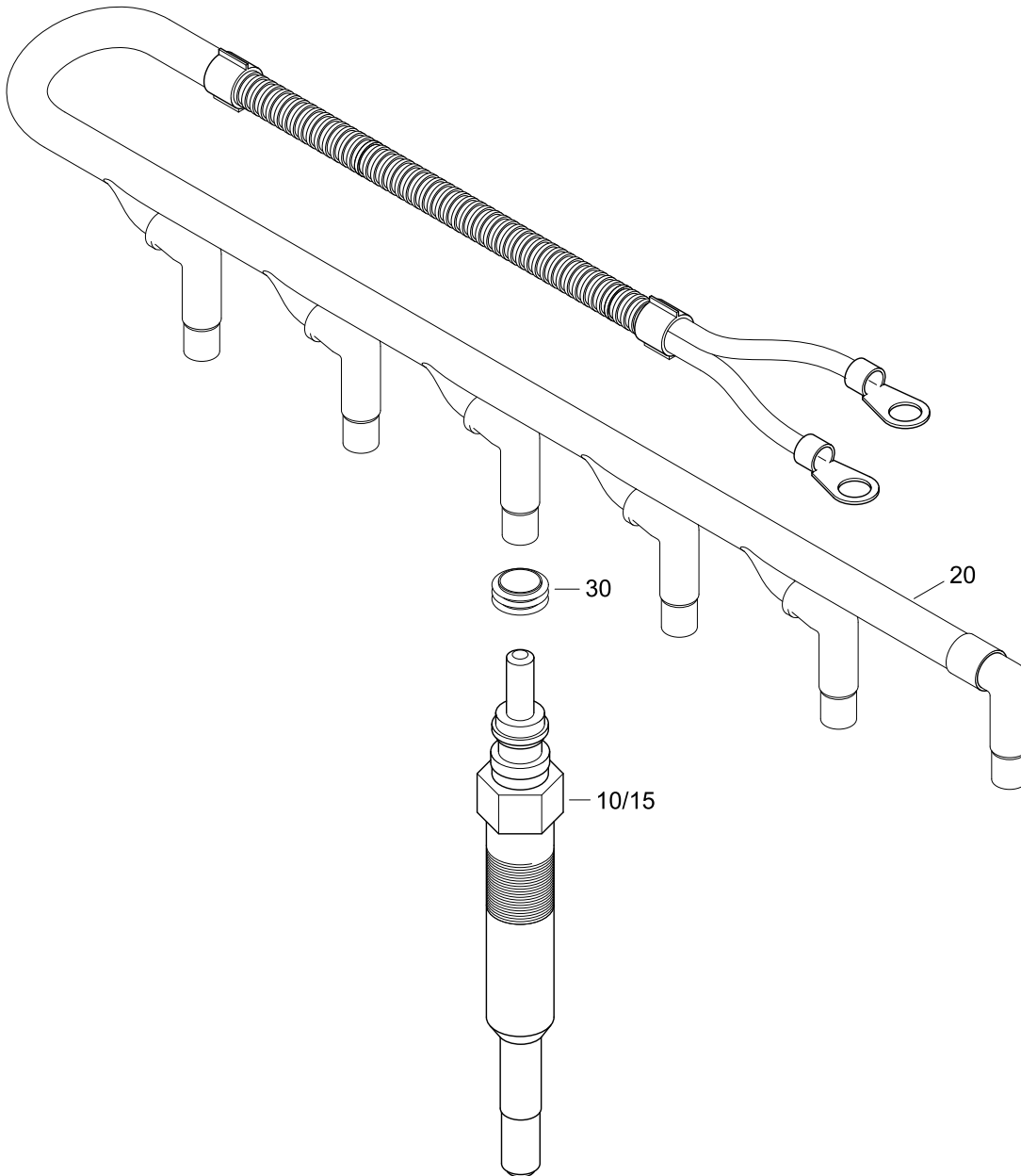


TA 0311

SE266 536
MARINE

GLOW PIN

03116084-0



GLOW PIN	SE266 S36 MARINE
-----------------	-----------------------------

03116084-0

Pos.	Part.-No.	Qty	Designation	Step
10	2177492-5	6	GLOW PLUG (STANDARD)	.2
15	2177492-6	1	GLOW PLUG 24V (OPTION)	.2
20	2200215-8	1	CABLE GLOW-PLUG ASSY. 6 CYL.	.2
30	2179256-0	6	GASKET GLOW PLUG CONNECTOR	..3



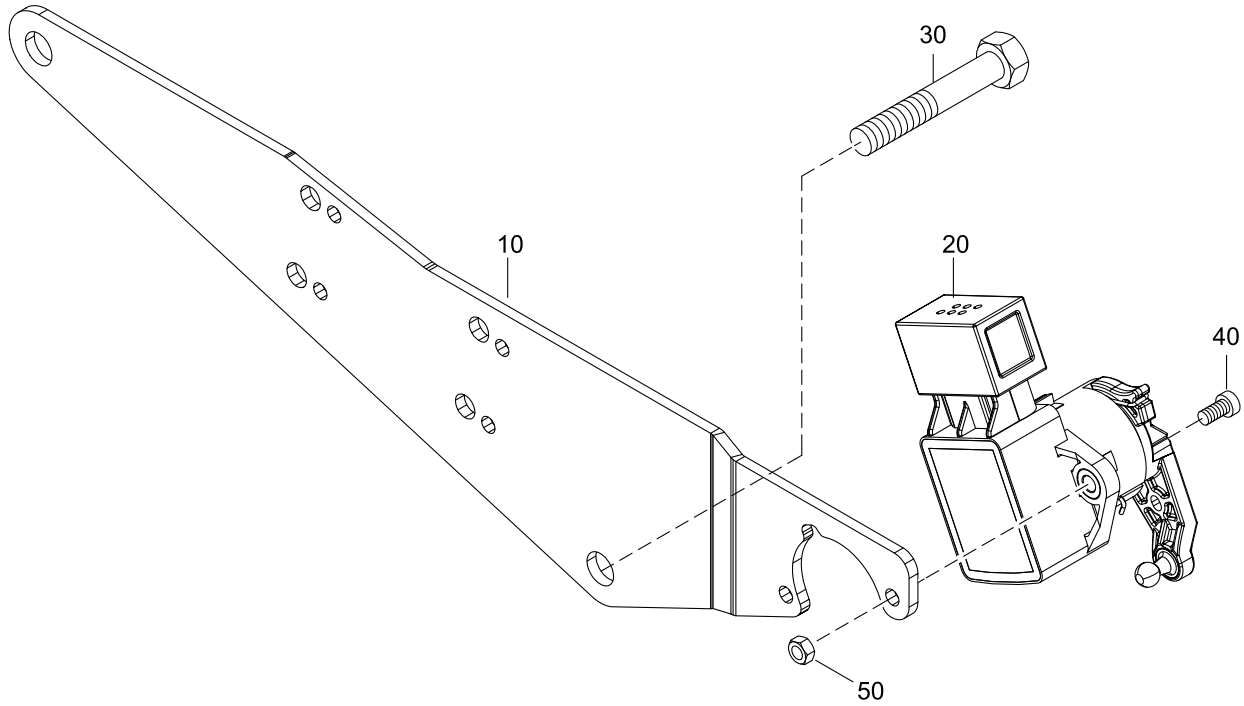


TA 0312

SE266 536
MARINE

POTENTIOMETER ACCELERATOR

03126284-0





POTENTIOMETER ACCELERATOR

SE266 S36
MARINE

03126284-0

Pos.	Part.-No.	Qty	Designation	Step
10	2180846-0	1	BRACKET POTENTIOMETER	.2
20	2180847-0	1	POTENTIOMETER ACCELERATOR	.2
30	3800471-0	2	HEX.HD.BOLT ISO 4014-M8x90-8.8-A2C	.2
40	2309129-0	2	HEX. SOCKET HEAD CAP SCREW DIN 912 - M4x12-A2	.2
50	3870051-0	2	HEX.NUT ISO 4032-M4-A2-70	.2



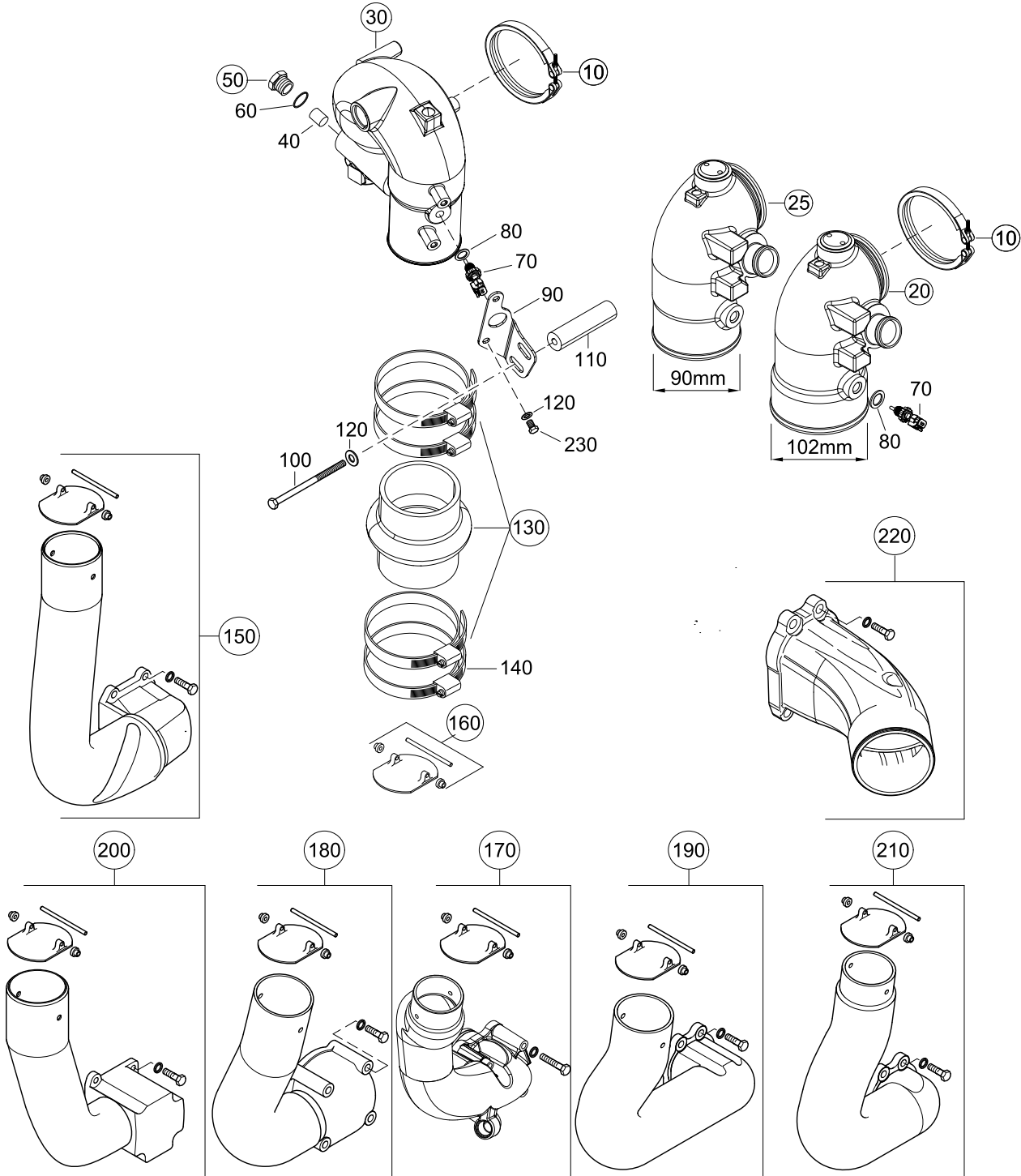


TA 0401

SE266 536
MARINE

HIGH RISER, EXHAUSTPIPE

04016284-0





HIGH RISER, EXHAUSTPIPE	SE266 S36 MARINE
--------------------------------	-----------------------------

04016284-0

Pos.	Part.-No.	Qty	Designation	Step
10	2179198-0	1	V-CLAMP	.2
20	Z026133-0	1	ELBOW ASSY. EXHAUST DM102 (PAINTED)	.2
25	2179008-8	1	ELBOW ASSY. EXHAUST DM 90 (PAINTED)	.2
30	Z002626-5	1	ELBOW EXHAUST ASSY. PAINTED	.2
40	2178413-1	1	ZINC ANODE	..3
50	Z002017-0	1	PLUG & SEAL FOR ZINC-ANODE	..3
60	3098020-0	1	SEALING RING DIN 7603-A18x22-CU	..3
70	2180773-0	1	COOLANT TEMPERATURE SENSOR	.2
80	3098013-0	1	SEALING RING DIN 7603-A12x18-CU	.2
90	2181087-0	1	BRACKET SUPPORT, ELBOW (PAINTED)	.2
100	9000288-2	1	HEX.HD.BOLT ISO 4014-M8x120-A2-70	.2
110	2181129-0	1	DISTANCE PIPE	.2
120	3930103-0	3	WASHER DIN 125-8.4-140HV-A2	.2
130	Z002072-0	1	KIT, HOSE-EXHAUST PIPE	.2
140	2178943-0	4	HOSE CLAMP 90-110/12	..3
150	2178896-0	1	EXHAUST PIPE AY. (PAIN.) VOLVO SX/OMC KING COBRA	.2
160	Z002063-0	1	FLAP KIT, EXHAUST PIPE	..3
170	2178885-0	1	EXHAUST PIPE AY. (PAIN.) VOLVO DP290 R4, R6	.2
180	2178885-1	1	EXHAUST PIPE AY. (PAIN.) VOLVO DP290 V8	.2
190	2178886-1	1	EXHAUST PIPE AY. (PAIN.) MERCURY	.2
200	2178925-0	1	EXHAUST PIPE AY. (PAIN.) STERNPOWER	.2
210	2178886-2	1	EXHAUST PIPE ASSY. DUAL STAGE COUPLER	.2
220	Z002121-0	1	EXHAUST FLANGE MERCURY-TRANSOM (PAINTED)	.2
230	3800224-0	2	SK.SCHR.GEW.BIS KOPF ISO 4017-M8x20-A2-70	.2





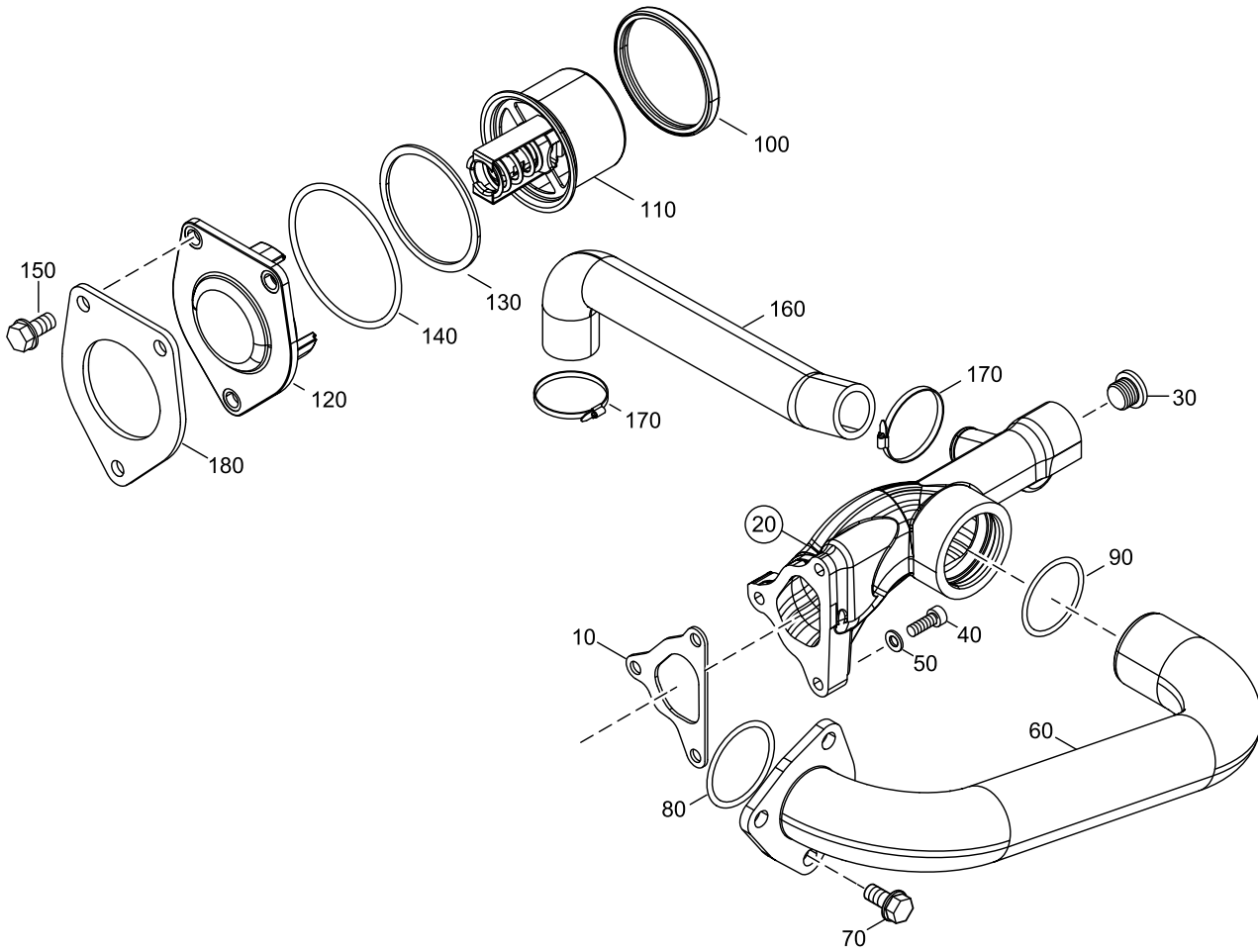
TA 0503



SE266 536
MARINE

WATERPIPE, THERMOSTAT

05036284-0





WATERPIPE, THERMOSTAT

**SE266 S36
MARINE**

05036284-0

Pos.	Part.-No.	Qty	Designation	Step
10	2177572-0	1	GASKET INLET PIPE	.2
20	Z026122-0	1	COOLANT INLET ASSY. (PAINTED)	.2
30	9000590-0	1	HEX.SOCK.SCR.PLUG WITH RUBBER SEAL M22x1,5	..3
40	9001088-0	3	HEX.SOCK. HD.CAP SCR. DIN 912-M6x25-A2-70	.2
50	3930070-0	3	WASHER DIN 125-6-140HV-A2	.2
60	2180524-0	1	PIPE, COOLING	.2
70	9000271-0	3	HEX.FLANGE BOLT EN 1665-M8x25-10.9-DAC	.2
80	9000986-0	1	O-RING 49,2x3	.2
90	9001090-0	1	O-RING 42x4	.2
100	2180850-0	1	SEALING RING, THERMOSTAT	.2
110	2180758-0	1	THERMOSTAT INLAY	.2
120	2180839-1	1	COVER THERMOSTAT	.2
130	2180921-0	1	DISTANCE WASHER	.2
140	9001169-0	1	O-RING 78x2,5	.2
150	9000271-0	3	HEX.FLANGE BOLT EN 1665-M8x25-10.9-DAC	.2
160	2180823-0	1	MOULDED HOSE, OIL COOLER-OUTLET	.2
170	2177464-0	2	CLAMP 20-32/12	.2
180	2181205-0	1	HOLDING PLATE	.2



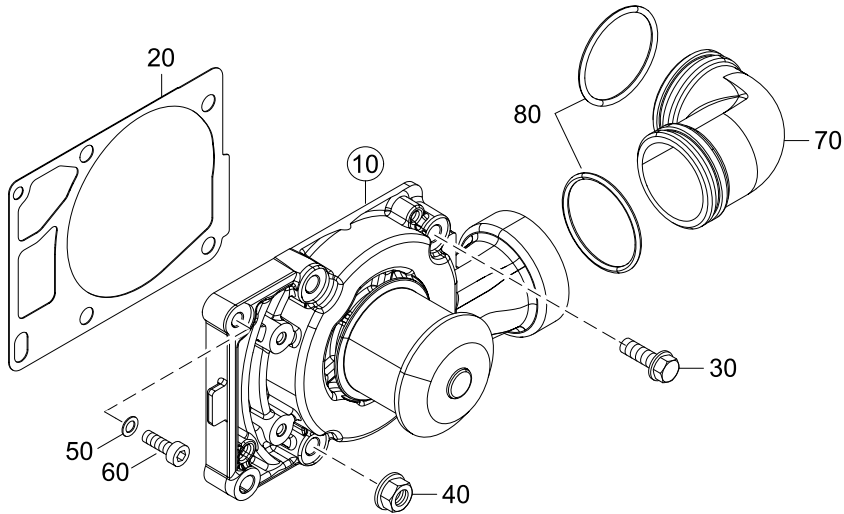


TA 0504

SE266 536
MARINE

WATERPUMP

05046284-0



WATERPUMP	SE266 S36 MARINE
------------------	-----------------------------------

05046284-0

Pos.	Part.-No.	Qty	Designation	Step
10	Z026123-0	1	WATER PUMP ASSY. (WITH GASKET)	.2
20	2177329-3	1	GASKET WATERPUMP HOUSING	.3
30	9000431-0	4	HEX.FLANGE BOLT EN 1665-M8x30-10.9-DAC	.2
40	9000056-1	1	HEX.FLANGE NUT DIN 6923-M8-8-A2C	.2
50	3932008-0	1	SPRING WASHER DIN 137-B6-FST-A3C	.2
60	3862327-0	1	HEX.SOCK. HD.CAP SCR. DIN 912-M6x25-8.8-A2C	.2
70	2180827-1	1	CONNECTOR, WATERPUMP - OIL MODULE	.2
80	2179099-0	2	O-RING 46x3	.2



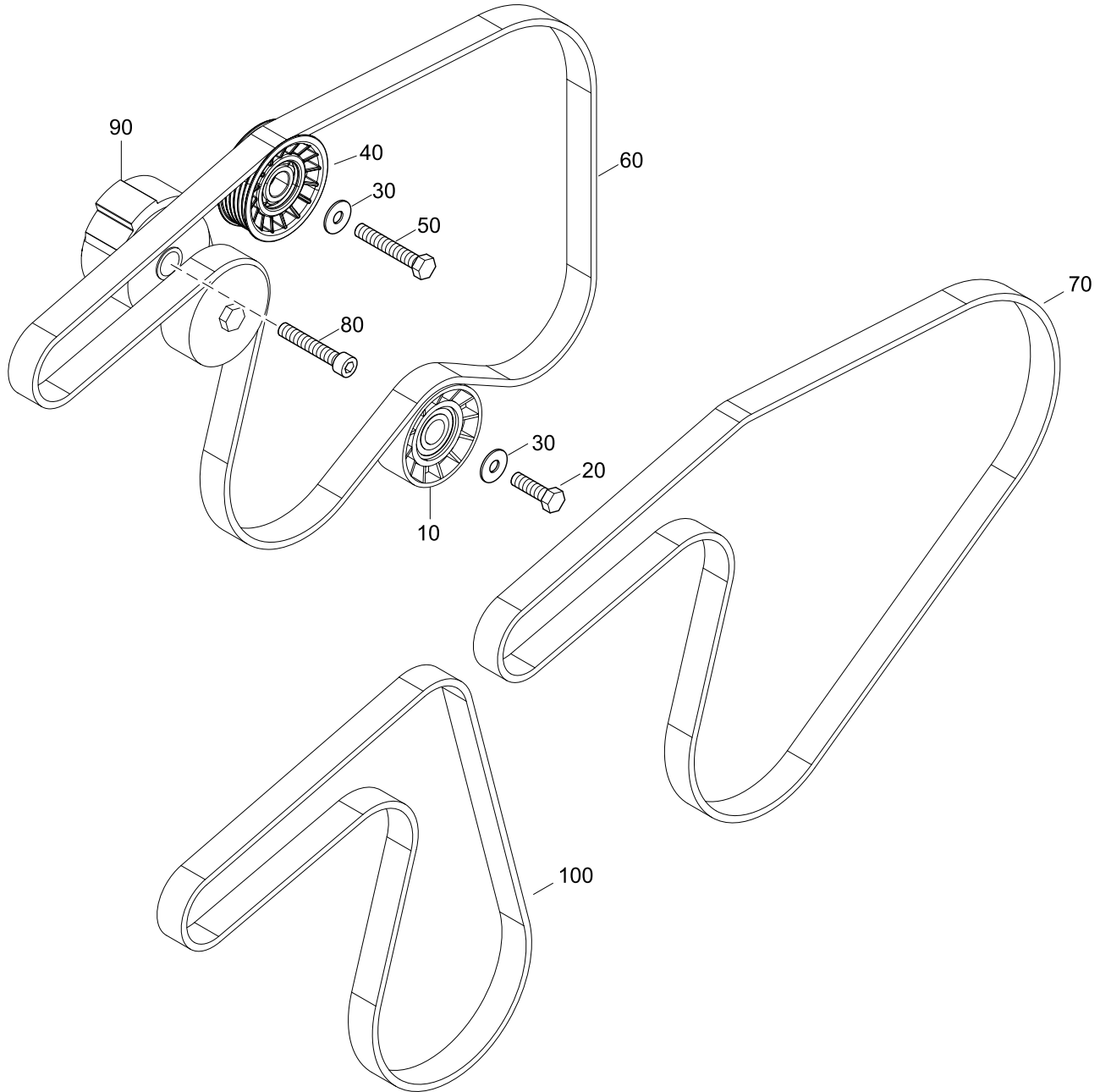


TA 0505

SE266 S36
MARINE

DRIVE BELTS, PULLEYS, TENSIONER

05056284-0





DRIVE BELTS, PULLEYS, TENSIONER

**SE266 S36
MARINE**

05056284-0

Pos.	Part.-No.	Qty	Designation	Step
10	2203559-1	1	IDLER PULLEY	.2
20	3802527-0	1	HEX.HD.SCR. ISO 4017-M10x30-A4	.2
30	3936107-0	2	WASHER LARGE SERIES DIN 9021-10.5-140HV-A4	.2
40	2180696-0	1	IDLER PULLEY ASSY.	.2
50	3802547-0	1	HEX.HD.BOLT ISO 4017-M10x50-8.8	.2
60	2180887-0	1	POLY-V BELT L=1488 6PK	.2
70	2180927-0	1	POLY-V BELT L=1390 6PK	.2
80	9000014-1	1	HEX.SOCK. HD.CAP SCR. DIN 912-M10x50-10.9-A3C	.2
90	2205423-0	1	TENSIONER POLY-V BELT	.2
100	2180926-0	1	POLY-V BELT L=1095 6PK	.2



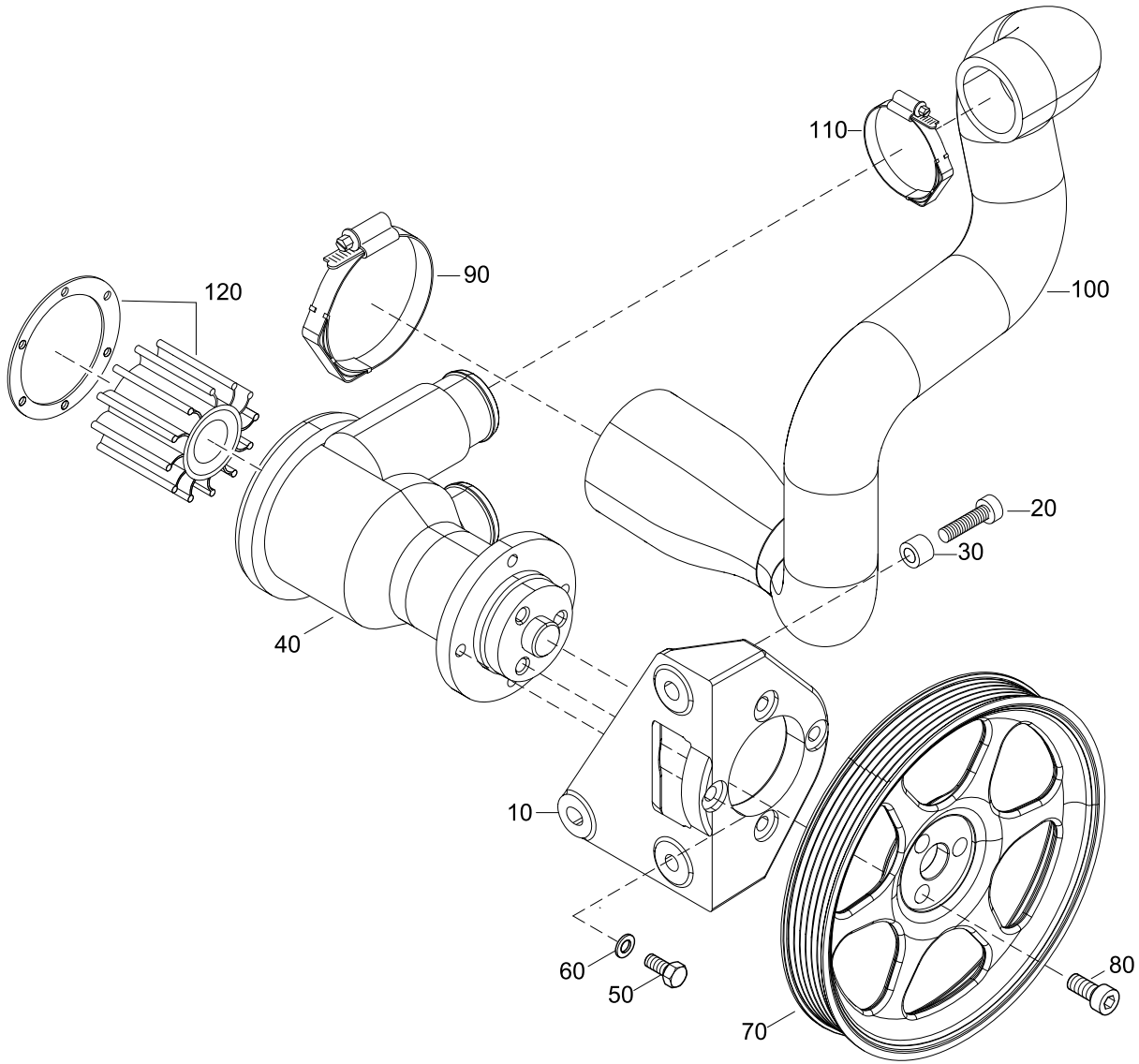


TA 0510

SE266 536
MARINE

RAW WATER PUMP

05106284-0





RAW WATER PUMP

**SE266 S36
MARINE**

05106284-0

Pos.	Part.-No.	Qty	Designation	Step
10	2180983-0	1	BRACKET, RAW WATER PUMP PAINTED	.2
20	9000697-0	3	HEX.SOCK. HD.CAP SCR. DIN 912-M8x45-A2-70	.2
30	2200868-0	3	DISTANCE SLEEVE, OIL COOLER	.2
40	2203714-8	1	RAW WATER PUMP (PAINTED)	.2
50	3800221-0	4	HEX.HD.SCR. ISO 4017-M6x20-A2-70	.2
60	3930070-0	4	WASHER DIN 125-6-140HV-A2	.2
70	2179911-0	1	PULLEY, RAW WATER PUMP	.2
80	3860152-0	3	HEX.SOCK. HD.CAP SCR. DIN 912-M8x16-A2-70	.2
90	2179022-0	1	HOSE CLAMP WITH SPRING 50-70/9	.2
100	2180890-0	1	MOLDED HOSE	.2
110	2179044-0	1	HOSE CLAMP WITH SPRING 25-40/9	.2
120	Z011753-2	1	SERVICE KIT, RAW WATER PUMP (WITH GREASE)	.2





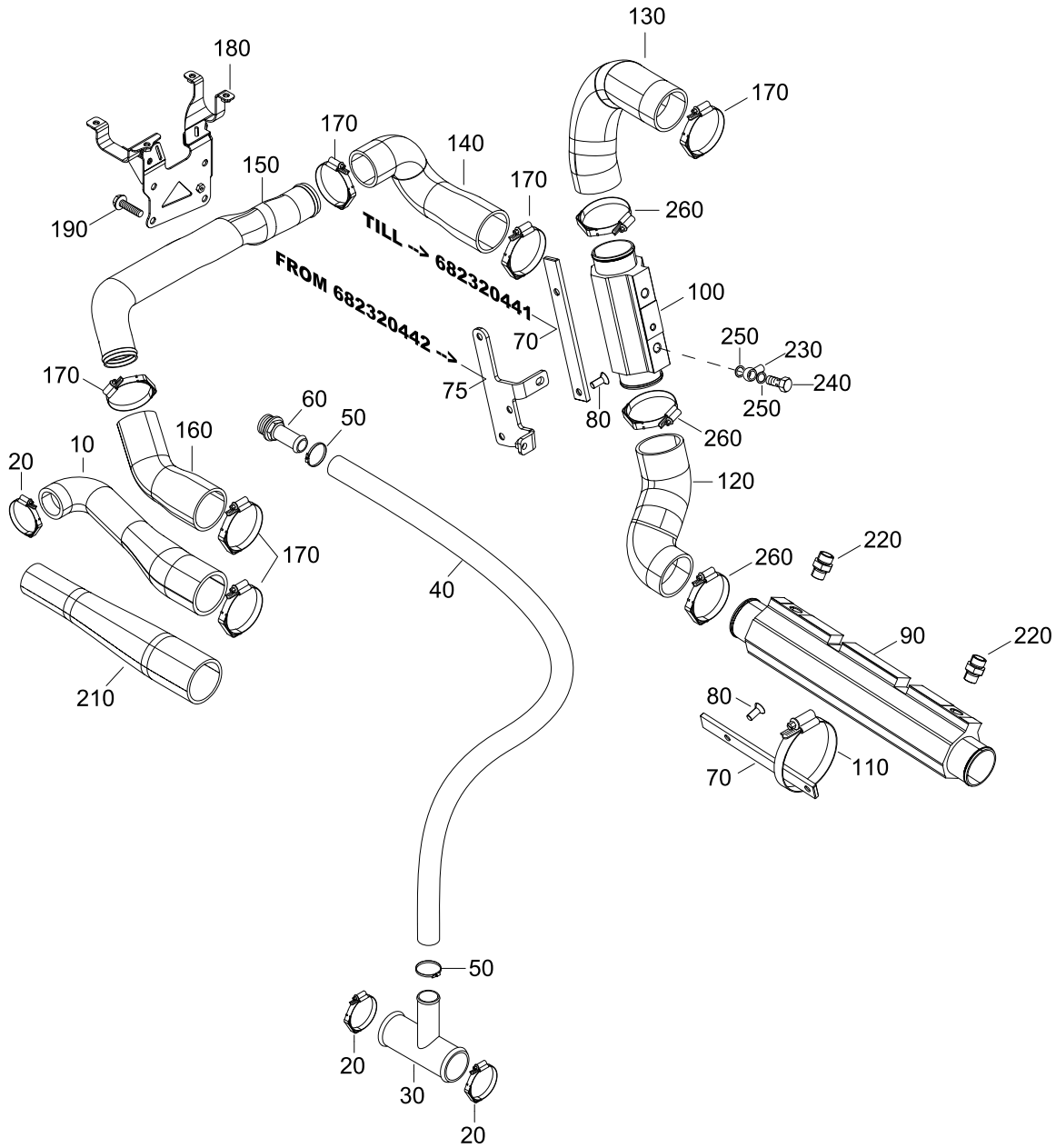
TA 0512



SE266 536
MARINE

RAW WATER PIPES

05126284-0



RAW WATER PIPES	SE266 S36 MARINE
------------------------	-----------------------------

05126284-0

Pos.	Part.-No.	Qty	Designation	Step
10	2181021-0	1	MOULDED HOSE, HEAT EXCHANGER - ELBOW EXHAUST	.2
20	2179044-0	2	HOSE CLAMP WITH SPRING 25-40/9	.2
30	2040095-2	1	PIPE ENGINE-COOLANT 32/19	.2
40	2179330-1	1	HOSE RAW WATER 20x2000	.2
50	2177464-0	2	CLAMP 20-32/12	.2
60	9000468-1	1	SCREW IN SOCKET	.2
70	2180814-0	1	MOUNTING PLATE —>682320441	.2
75	2181195-0	1	BRACKET, FUEL COOLER 682320442—>	.2
80	9000456-0	3	HEX.SOCK.COUNTERSUNK SCR. DIN 7991-M8x20-10.9-A2C	.2
90	Z026124-0	1	GEAR OIL COOLER (PAINTED)	.2
100	Z026125-0	1	FUEL COOLER (PAINTED)	.2
110	2179929-0	3	HOSE CLAMP 60-80/12	.2
120	2180645-0	1	MOLDED HOSE	.2
130	2180646-0	1	MOLDED HOSE	.2
140	2180995-0	1	MOULDED HOSE	.2
150	2180841-0	1	TUBE AIR COOLER-HEAT EXCHANGER	.2
160	2180994-0	1	MOULDED HOSE	.2
170	2179050-0	7	HOSE CLAMP WITH SPRING 40-60/9	.2
180	2180923-0	1	BRACKET, RAW WATER PIPE	.2
190	9000305-0	3	HEX.FLANGE BOLT EN 1665-M8x20-10.9-DAC	.2
210	2180842-0	1	MOULDED HOSE, HEAT EXCHANGER - ELBOW EXHAUST	.2
220	9000832-0	2	PIPE UNION ADAPTOR DIN 3901-L12A-M-ST	.2
230	9001148-0	1	BANJODM12	.2
240	11868	1	HOLLOW SCREW M12x1,5 DIN 7643-8-3-A3C	.2
250	3098013-0	2	SEALING RING DIN 7603-A12x18-CU	.2
260	2179022-0	3	HOSE CLAMP WITH SPRING 50-70/9	.2



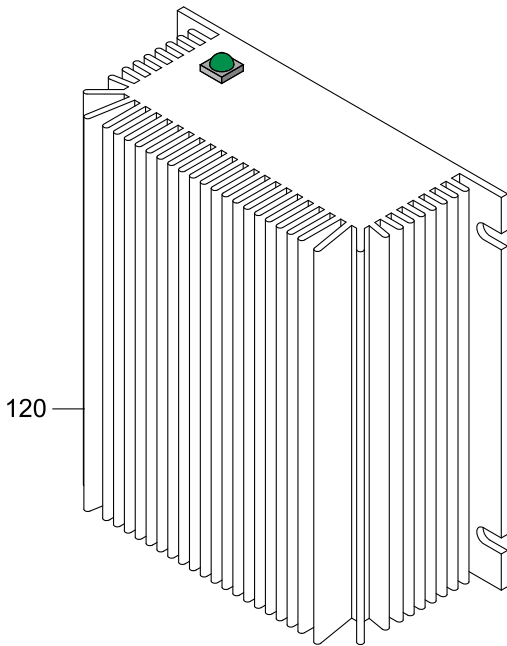
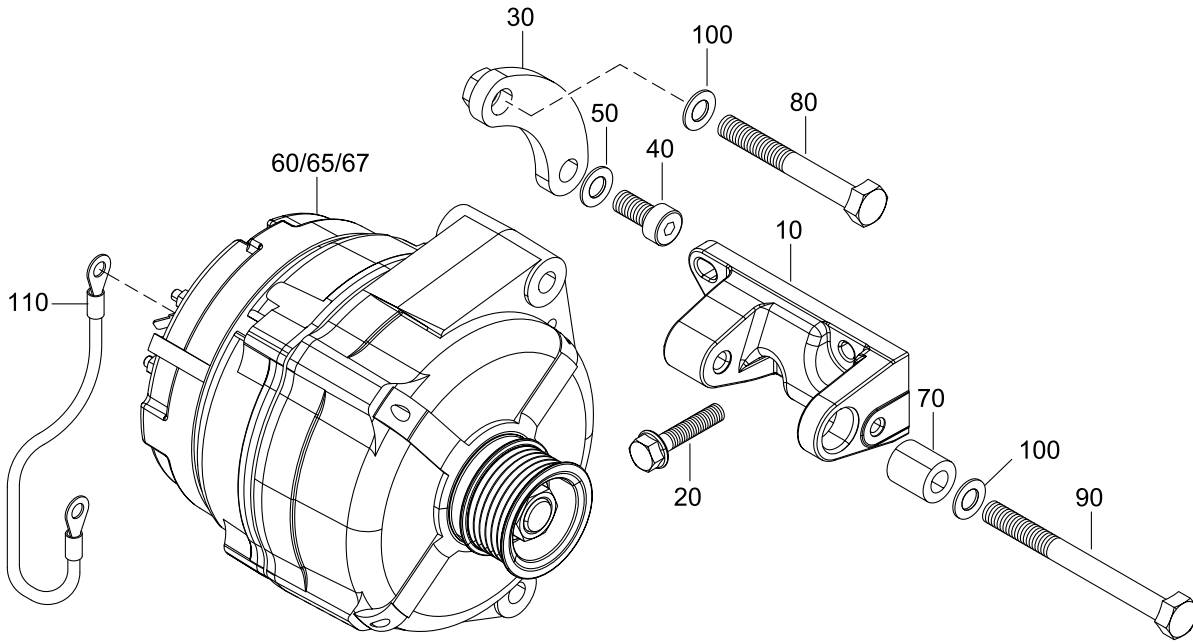


TA 0601

SE266 536
MARINE

ALTERNATOR 14V / 120A

06016284-0





ALTERNATOR 14V / 120A	SE266 S36 MARINE
------------------------------	-----------------------------

06016284-0

Pos.	Part.-No.	Qty	Designation	Step
10	Z026126-0	1	BRACKET, ALTERNATOR (PAINTED)	.2
20	9000271-0	3	HEX.FLANGE BOLT EN 1665-M8x25-10.9-DAC	.2
30	2180987-0	1	HOLDING PLATE, ALTERNATOR	.2
40	9000511-0	1	HEX.SOCK. HD.CAP SCR. DIN 912-M10x25-12.9	.2
50	3930271-0	1	WASHER DIN 125 10-140HV-A3C	.2
60	Z026127-0	1	ALTERNATOR ASSY. 14V-120A (STANDARD) (PAINTED)	.2
65	Z026141-0	1	ALTERNATOR ASSY. 14V-150A (OPTION) (PAINTED)	.2
67	Z026143-0	1	ALTERNATOR ASSY. 28V-100A (OPTION) (PAINTED)	.2
70	2180794-0	1	CLAMPING SLEEVE, ALTERNATOR	.2
80	3800571-0	1	HEX.HD.BOLT ISO 4014-M10x80-8.8-A3C	.2
90	3800568-0	1	HEX.HD.BOLT ISO 4014-M10x100-8.8-A3C	.2
100	3930271-0	2	WASHER DIN 125 10-140HV-A3C	.2
110	2178968-0	1	GROUND WIRE	.2
120	2179789-0	1	DC/DC CONVERTER 24 -12V / 30A	.2





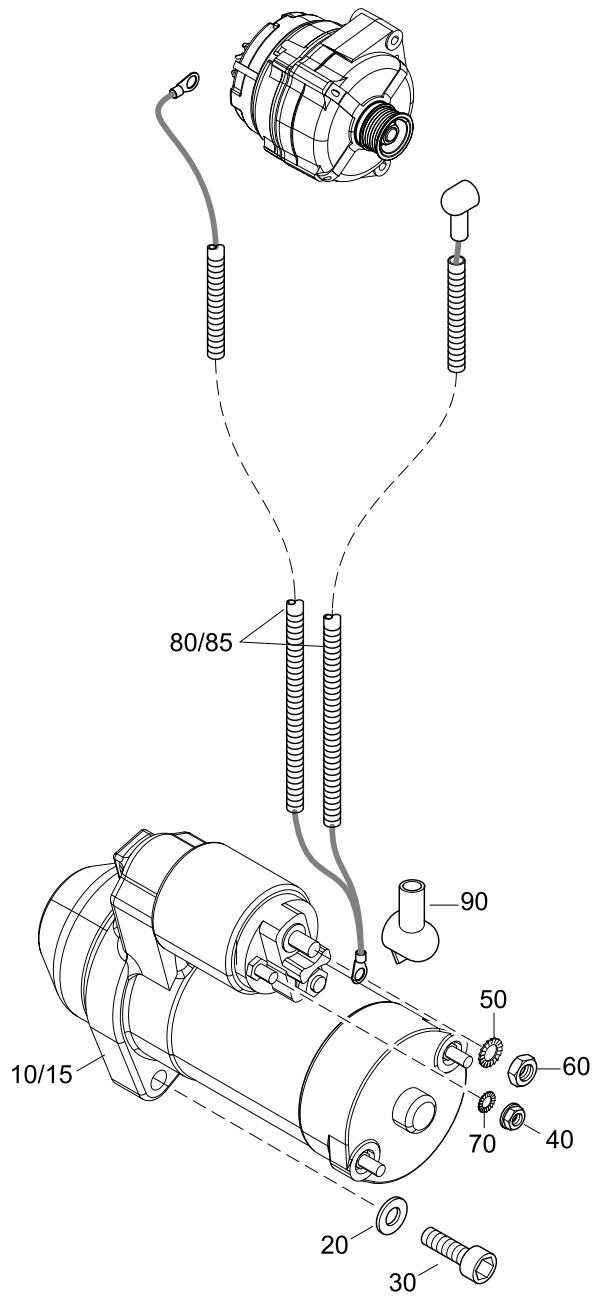
TA 0603



SE266 536
MARINE

STARTER

06036284-0



STARTER	SE266 S36 MARINE
----------------	-----------------------------------

06036284-0

Pos.	Part.-No.	Qty	Designation	Step
10	2040077-8	1	STARTER 12V (STANDARD) (PAINTED)	.2
15	Z026142-0	1	STARTER 24V (OPTION) (PAINTED)	.2
20	3932025-0	2	SPRING WASHER DIN 137-A10-FST-A3C	.2
30	3860149-0	2	HEX.SOCK. HD.CAP SCR. DIN 912-M10x40-8.8-A3C	.2
40	3870050-0	1	HEX.NUT DIN 934-M5-A2-70	.2
50	9000013-0	1	TOOTHED LOCK WASHER EXTERNAL DIN 6797-A8.4-1.4310	.2
60	3870045-0	1	HEX.NUT ISO 4032-M8-A2-70	.2
70	9000040-0	1	TOOTHED LOCK WASHER EXTERN. DIN 6797-A5.3-1.4310	.2
80	2180898-0	1	HARNESS STARTER 12V (STANDARD)	.2
85	2180899-0	1	HARNESS STARTER 24V (OPTION)	.2
90	O910111-0	1	RUBBER PROTECTION CAP	.2



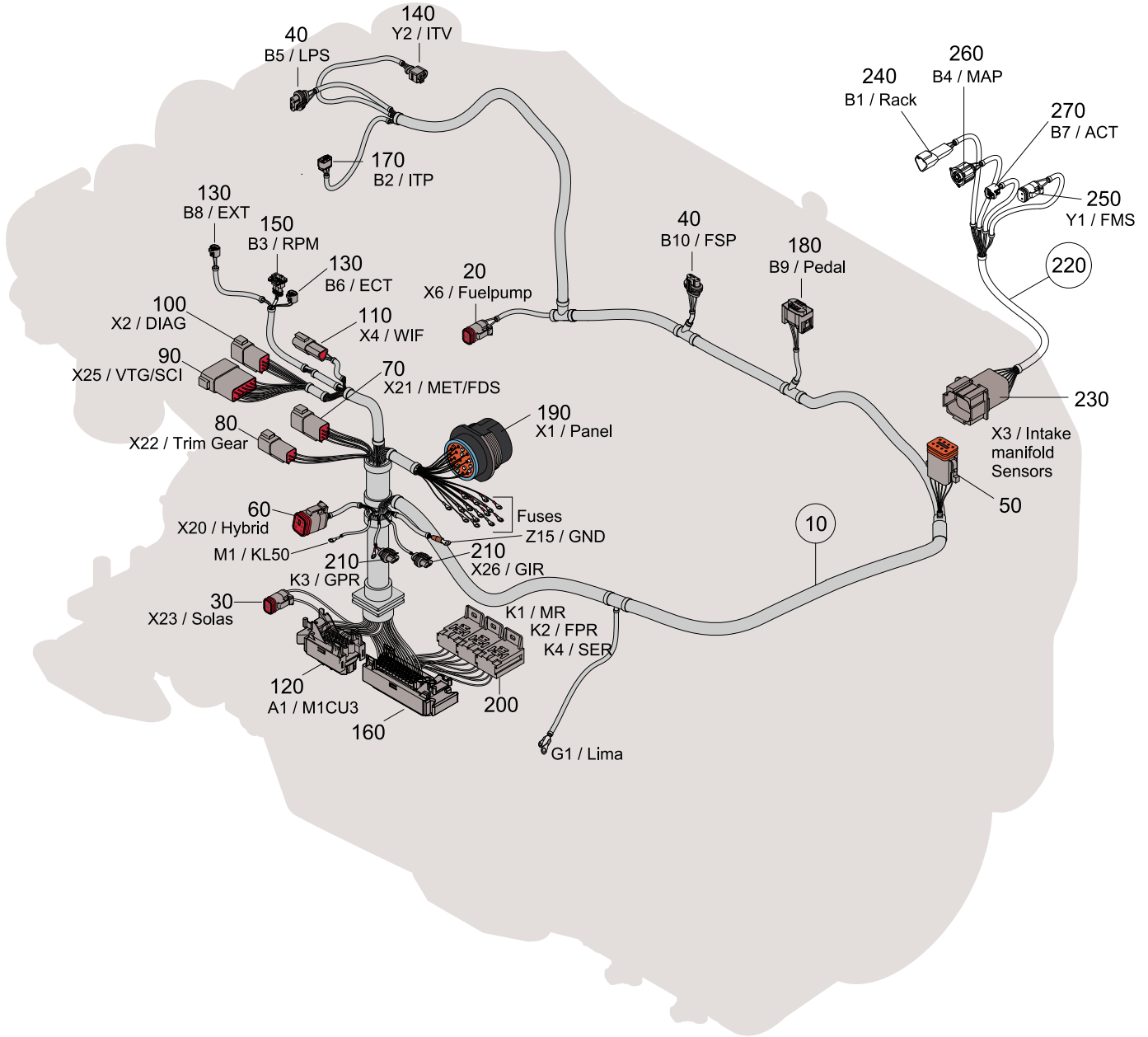


TA 0605

SE266 536
MARINE

ENGINE HARNESS

06056284-0





ENGINE HARNESS	SE266 S36 MARINE
-----------------------	-----------------------------

06056284-0

Pos.	Part.-No.	Qty	Designation	Step
10	Z026128-0	1	ENGINE HARNESS ASSY.	.2
20	Z002417-1	1	PLUG COMPLETE 2-POLE	..3
30	Z002417-0	1	PLUG COMPLETE 2-POLE	..3
40	Z002203-0	2	PLUG COMPLETE 3-POLE	..3
50	Z002204-0	1	PLUG COMPLETE 8-POLE	..3
60	Z002649-0	1	PLUG COMPLETE 6-POLE	..3
70	Z002415-0	1	PLUG COMPLETE 6-POLE	..3
80	Z002205-0	1	PLUG COMPLETE 4-POLE	..3
90	Z002206-0	1	PLUG COMPLETE 12-POLE	..3
100	Z002211-0	1	PLUG COMPLETE 6-POLE	..3
110	Z002416-0	1	PLUG COMPLETE 3-POLE	..3
120	Z002207-0	1	PLUG COMPLETE 28-POLE	..3
130	Z002208-0	2	PLUG COMPLETE 2-POLE	..3
140	Z002645-0	1	PLUG COMPLETE 2-POLE	..3
150	Z002412-0	1	PLUG COMPLETE 3-POLE	..3
160	Z002209-0	1	PLUG COMPLETE 52-POLE	..3
170	Z002643-0	1	PLUG COMPLETE 4-POLE	..3
180	Z002414-2	1	PLUG COMPLETE 6-POLE	..3
190	Z002410-A	1	PLUG COMPLETE 23-POLE	..3
200	9000421-0	3	RELAY SOCKET	..3
210	Z002210-0	2	PLUG COMPLETE 2-POLE	..3
220	Z026129-0	1	HARNESS ASSY., INTAKE MANIFOLD	.2
230	Z002092-0	1	PLUG COMPLETE 8-POLE	..3
240	Z002416-0	1	PLUG COMPLETE 3-POLE	..3
250	Z002417-0	1	PLUG COMPLETE 2-POLE	..3
260	Z002139-0	1	PLUG COMPLETE 3-POLE	..3
270	Z002208-0	1	PLUG COMPLETE 2-POLE	..3



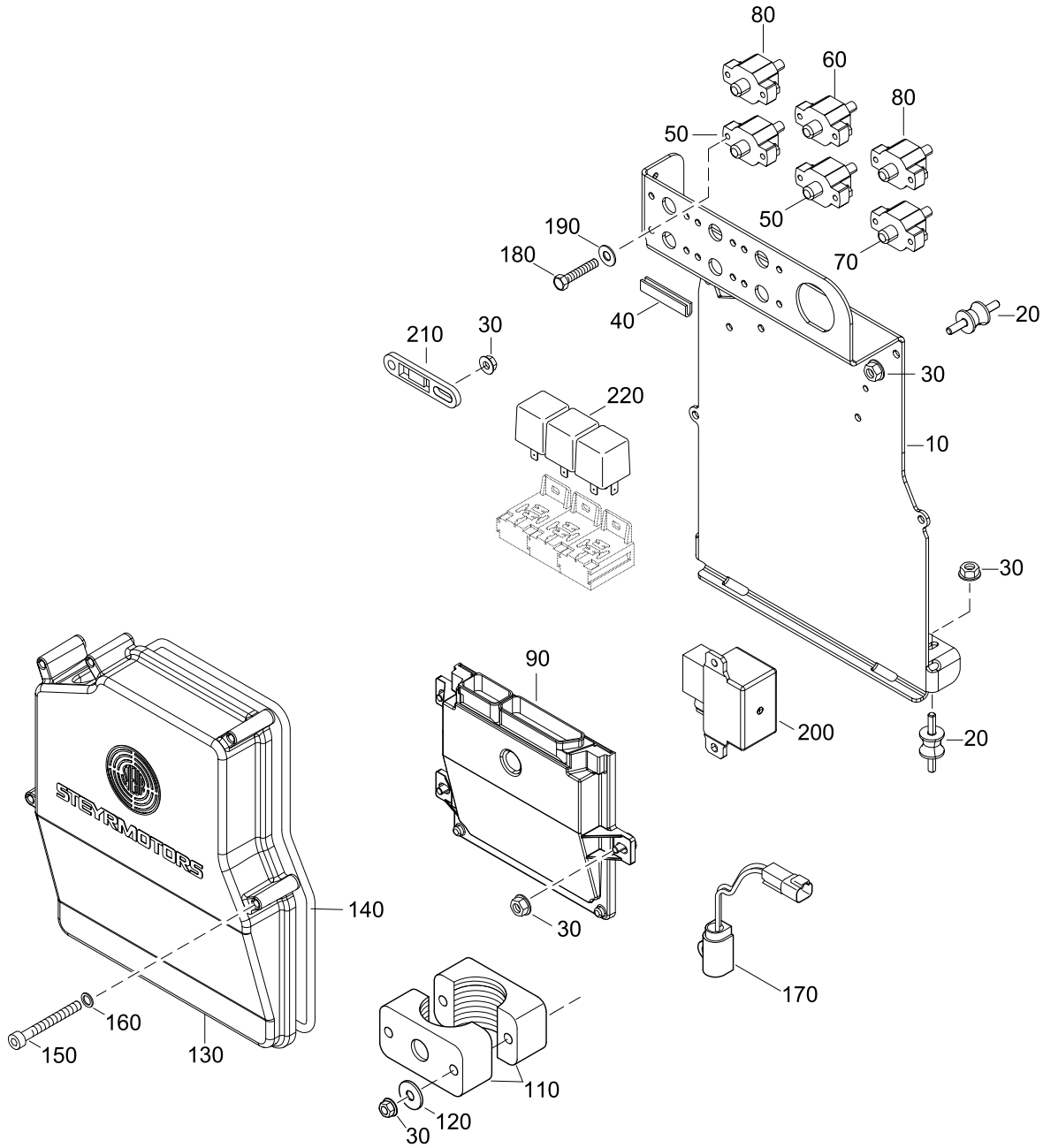


TA 0606

SE266 536
MARINE

SECURETYSYSTEM, FUSES, ECU, E-BOX

06066284-4



SECURETYSYSTEM, FUSES, ECU, E-BOX

**SE266 S36
MARINE**

06066284-4

Pos.	Part.-No.	Qty	Designation	Step
10	2180845-0	1	BASE PLATE	.2
20	2203744-0	4	RUBBER MOUNT	.2
30	3880049-0	17	HEX.FLANGE NUT DIN 6923-M6-A2-70	.2
40	2173329-0	0.05	EDGE PROTECTOR	.2
50	O913774-0	2	AUTOMATIC CIRCUIT BREAKER 50A	.2
60	2181039-0	1	AUTOMATIC CIRCUIT BREAKER 25A	.2
70	O986525-0	1	AUTOMATIC CIRCUIT BREAKER 12.5A	.2
80	2181040-0	2	AUTOMATIC CIRCUIT BREAKER 20A	.2
90	2181062-0	1	ENGINE CONTROL UNIT SE266S36	.2
110	2203753-0	2	CLAMP, FASTEN ENGINE-HARNESS	.2
120	9000012-0	10	WASHER LARGE SERIES DIN 9021-6.4-140HV-A2	.2
130	2181005-0	1	ASSY. COVERING, ENGINE ELECTRIC	.2
140	2171410-1	1	SEAL, COVERING ENGINE ELECTRIC	.3
150	9000003-0	5	HEX.SOCK. HD.CAP SCR. DIN 912-M5x55-A2-70	.2
160	3930069-0	8	WASHER ISO 7089-5-200HV-A2	.2
170	2178971-G	1	INVERSION-SWITCH ASSY	.2
180	9000424-0	12	HEX.HD.SCR. ISO 4017-8/32UNCx20-A2-70	.2
190	3930072-0	12	WASHER LARGE SERIES DIN 9021-4.3-A2	.2
200	9000947-1	1	RELAY 12V-150A-IP67	.2
210	2178870-0	2	FIXTURE, CABLE TIE	.2
220	9000183-0	3	RELAY 12V 40A	.2





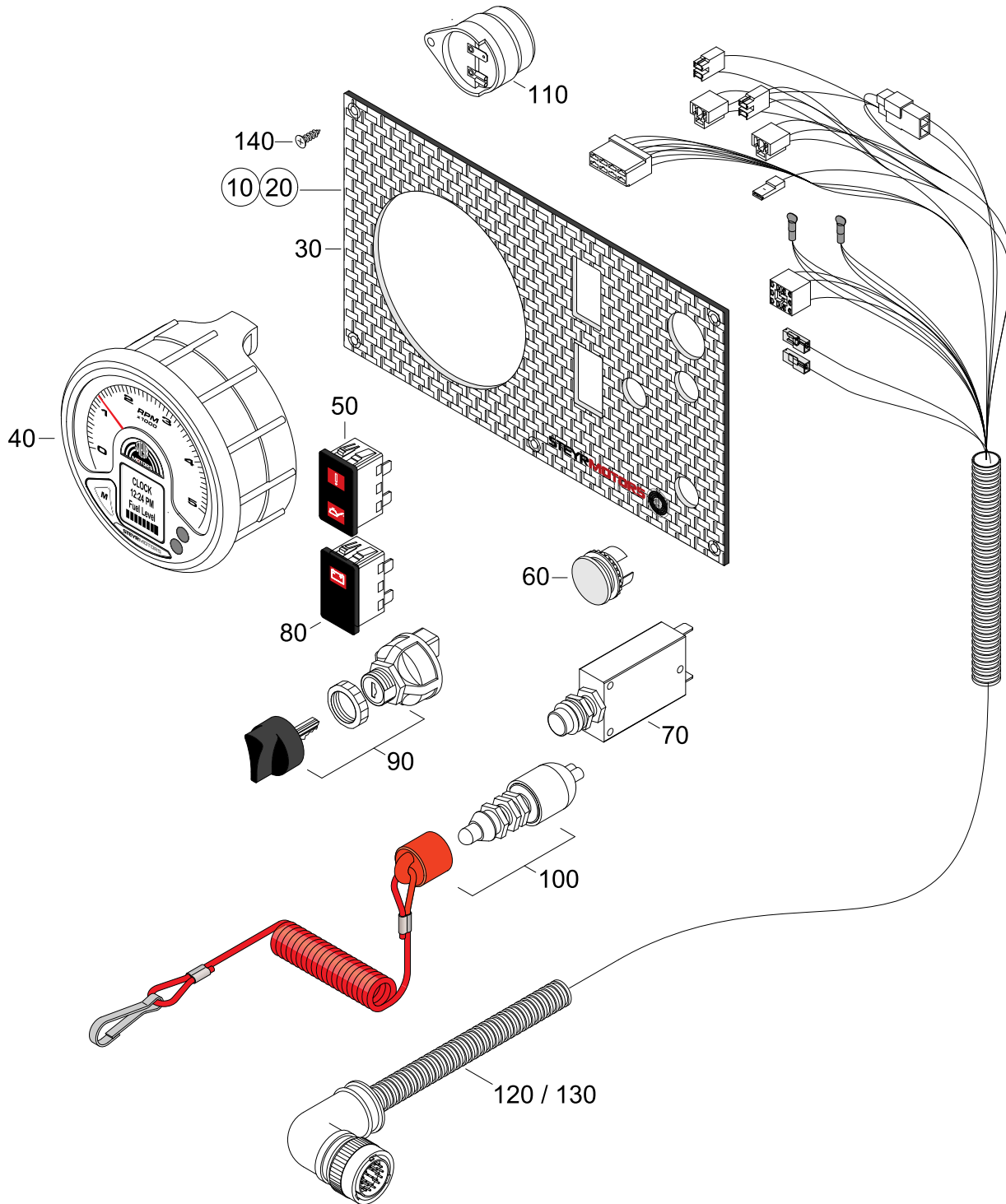
TA 0607



SE266 536
MARINE

INSTRUMENTPANEL (STANDARD)

06072184-1



INSTRUMENTPANEL (STANDARD)
**SE266 S36
MARINE**

06072184-1

Pos.	Part.-No.	Qty	Designation	Step
10	2179963-0	1	INSTR. PANEL ASSY. (LED) 12V 7m	.2
20	2179965-0	1	INSTR.PANEL ASSY. (LED) 12V 1,5m	.2
30	2179981-0	1	FRONT PLATE, INSTRUMENT PANEL - STANDARD	..3
40	2179971-0	1	REVOLUTIONCOUNTER	..3
50	Z002196-0	1	WARNING LED, CHECK ENGINE & OIL PRESSURE	..3
60	2179320-0	1	BLIND PLUG, BLACK	..3
70	Z002180-0	1	THERMO PROTECTION SWITCH ASSY.	..3
80	Z002197-0	1	WARNING LED, BATTERY CHARGE	..3
90	2179975-0	1	GLOW-START SWITCH	..3
100	2179978-0	1	EMERGENCY CUTOFF SWITCH	..3
110	2178760-1	1	HORN AUDIBLE WARNING	..3
120	2180073-0	1	CABLE ASSY. INSTRUMENT 7m	..3
130	2180075-0	1	CABLE ASSY. INSTRUMENT 1,5m	..3
140	9000817-0	6	CR.REC.COUNT.SUNK HD.TPG.SCR. 3.5x16	..3





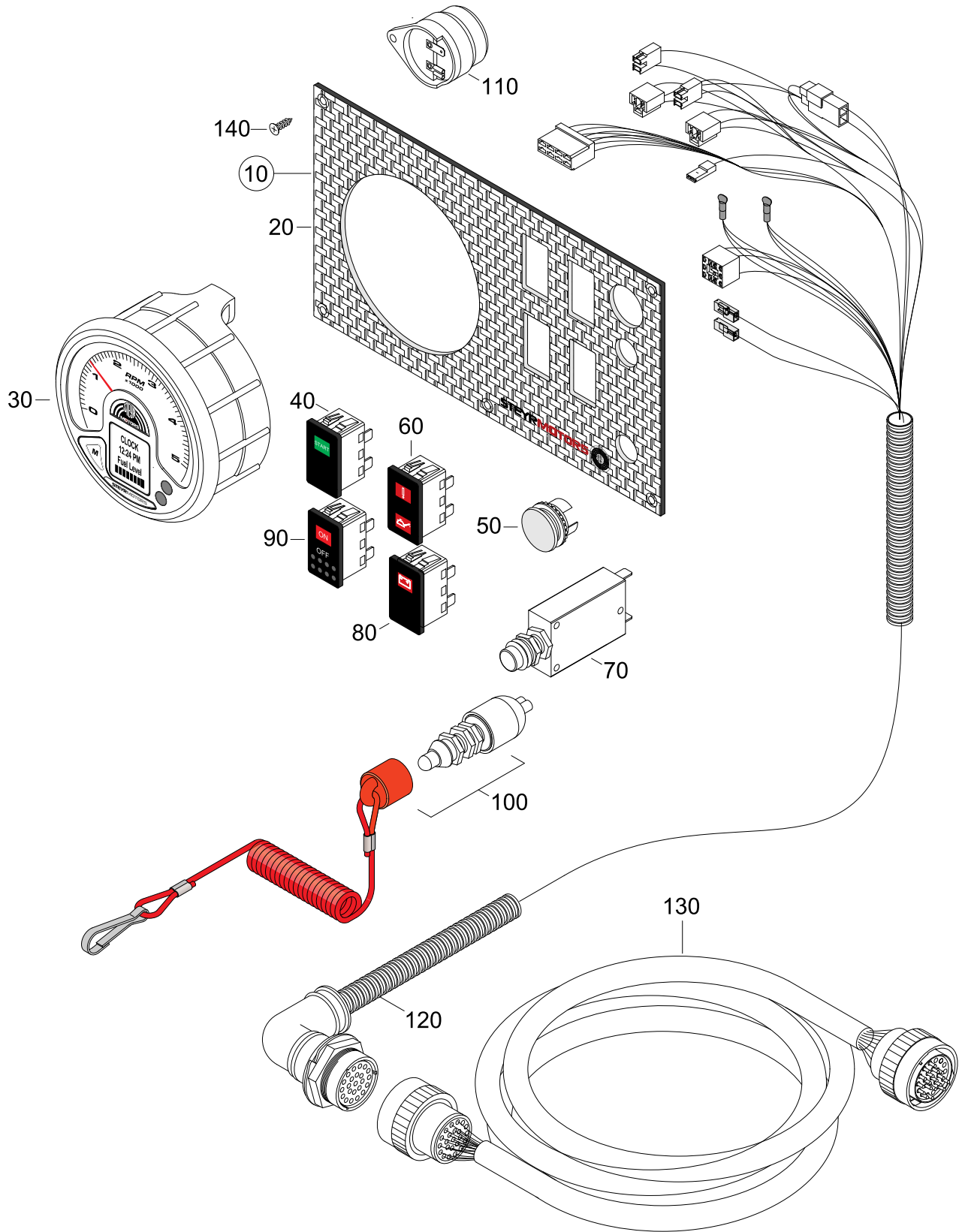
TA 0609



SE266 536
MARINE

INSTRUMENTPANEL SOLAS (STANDARD)

06092184-1





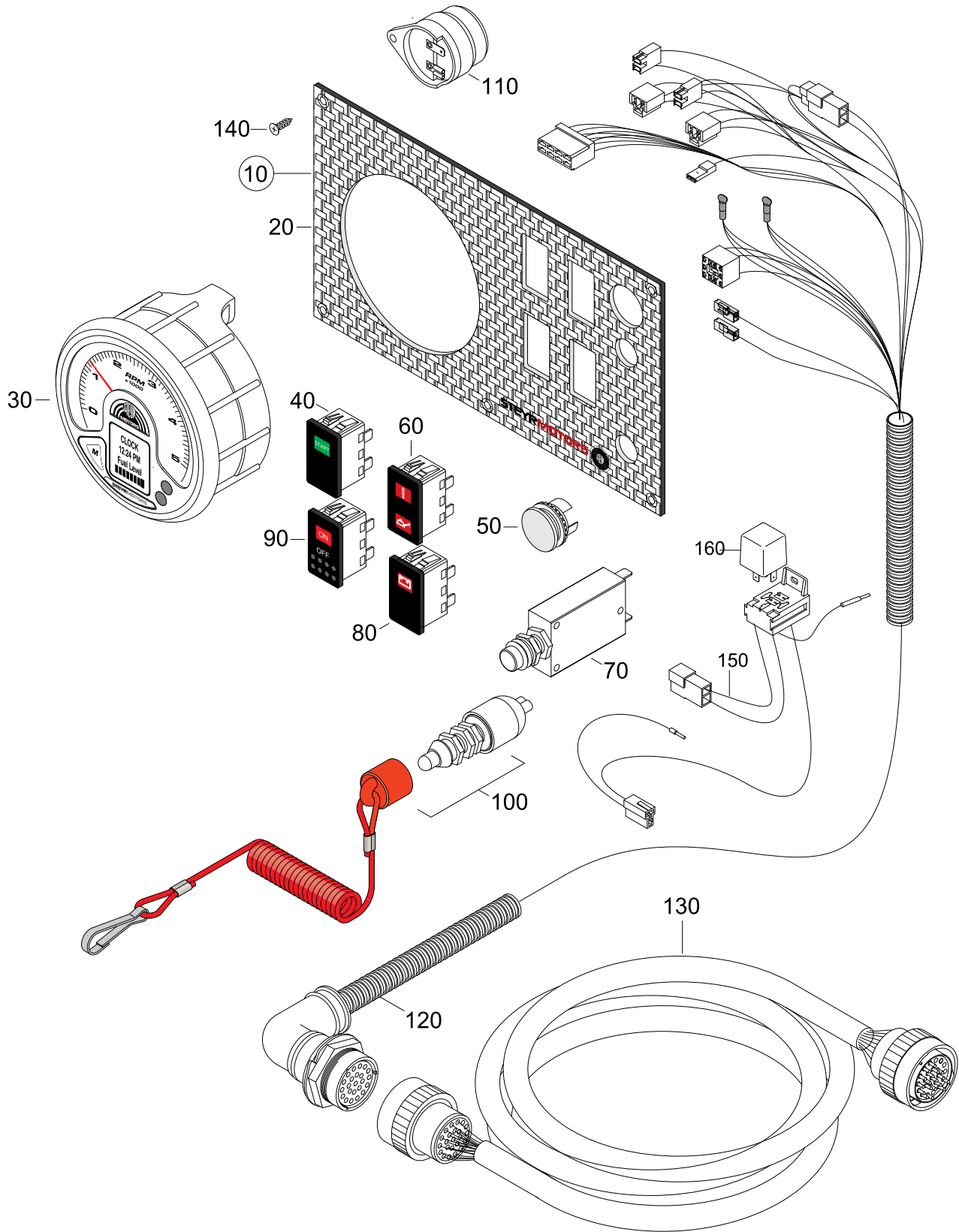
TA 0609



SE266 536
MARINE

INSTRUMENTPANEL SOLAS 24V

06092184-2





TA 0610

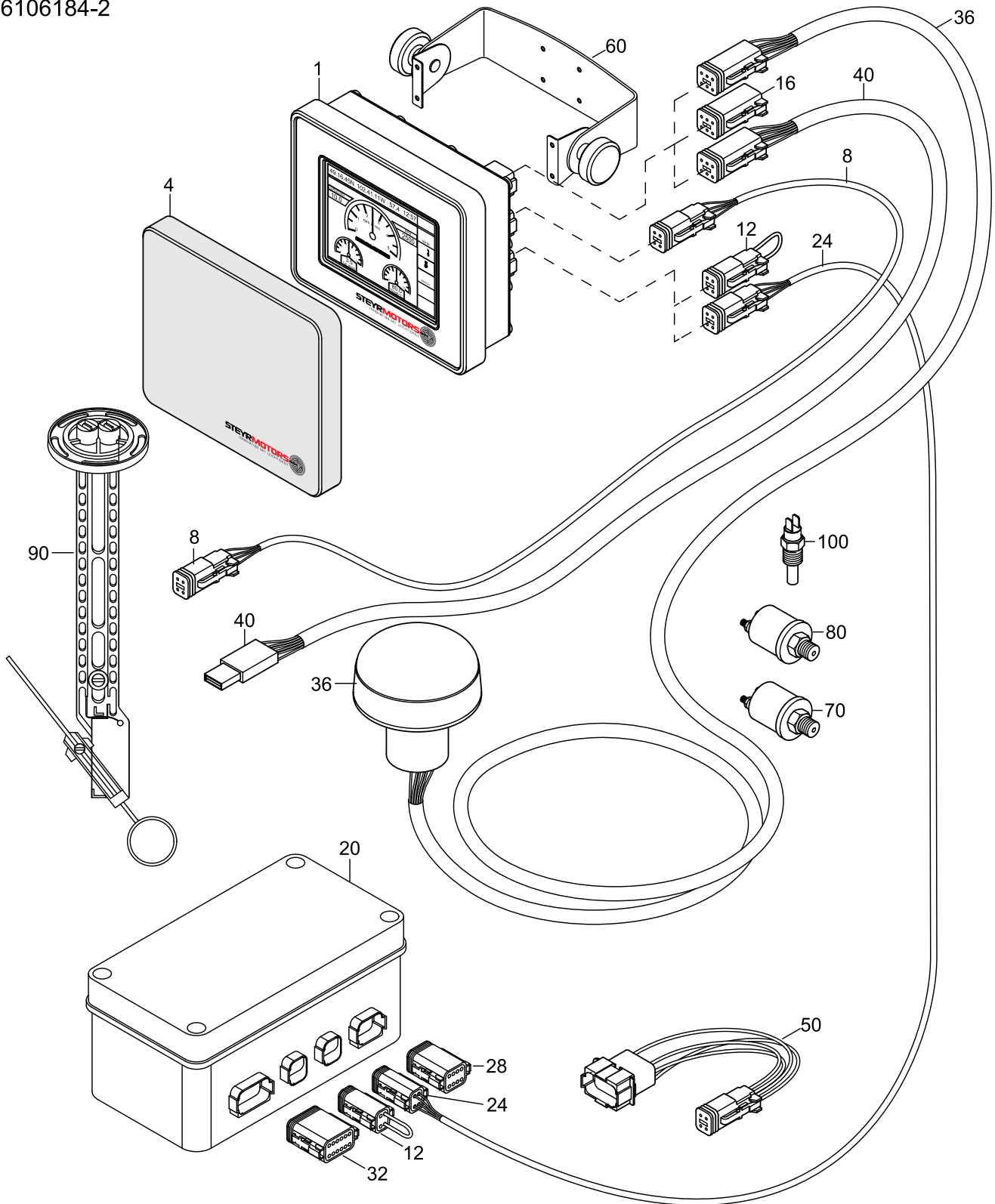
STEYRMOTORS
INNOVATION WITH LIGHTNESS



SE266 536
MARINE

SCC-DISPLAY

06106184-2





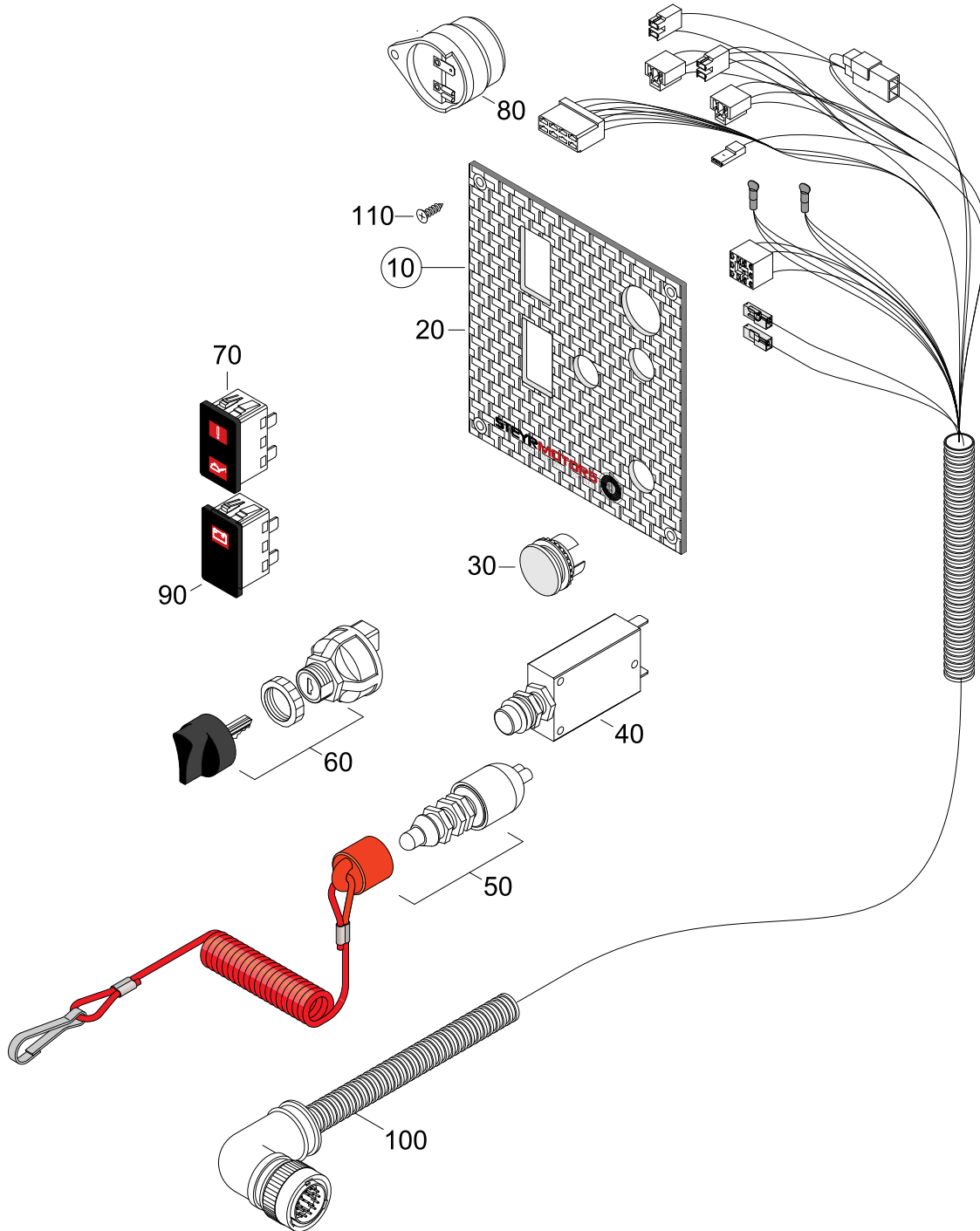
TA 0611



SE266 536
MARINE

SWITCH PANEL FOR DISPLAY

06112184-1



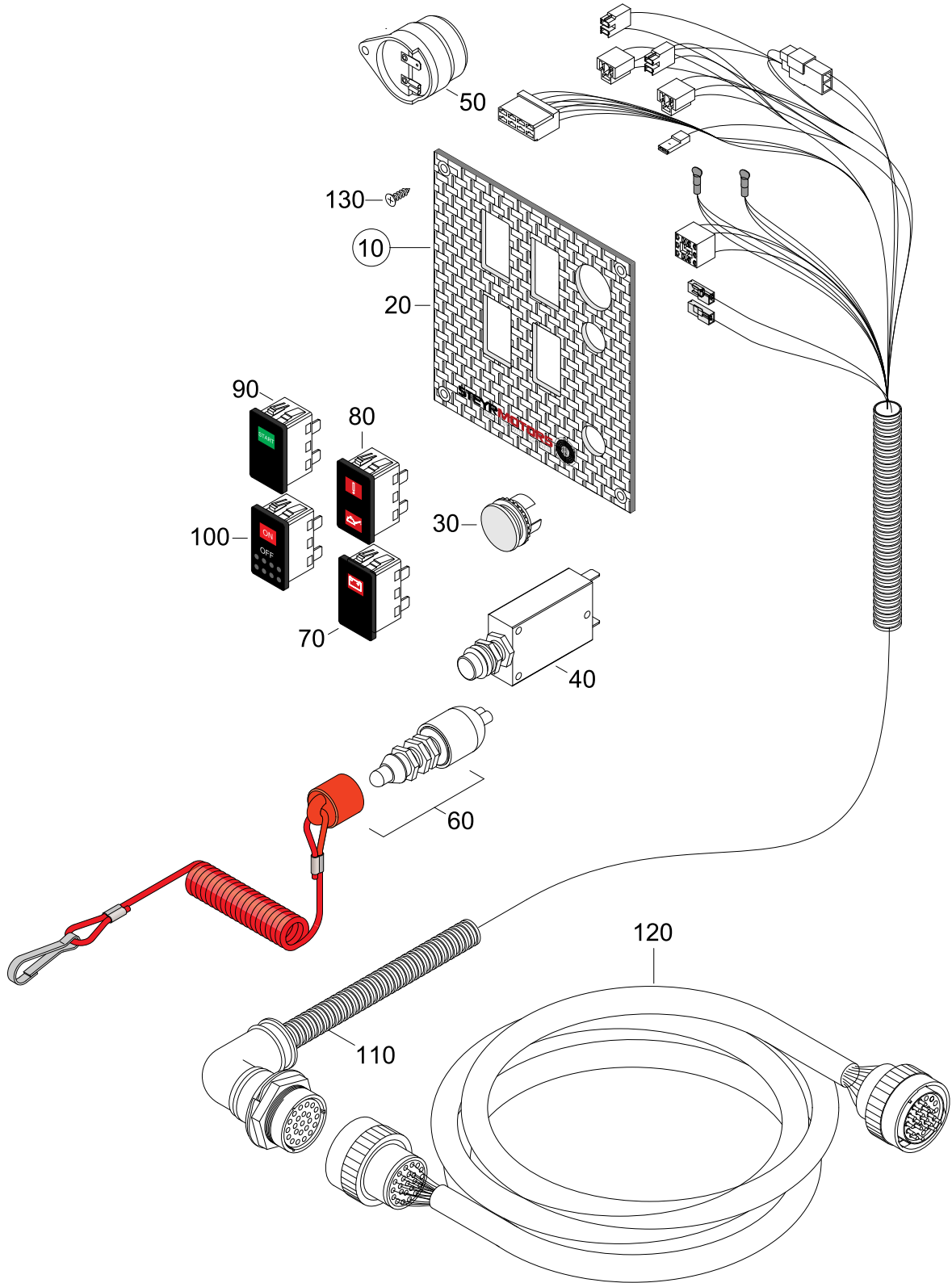


TA 0612

SE266 536
MARINE

PUSH BUTTON PANEL SOLAS FOR DISPLAY

06122184-1



PUSH BUTTON PANEL SOLAS FOR DISPLAY	SE266 S36 MARINE
--	-----------------------------

06122184-1

Pos.	Part.-No.	Qty	Designation	Step
10	2179967-0	1	PUSH BUTTON PANEL (LED) SOLAS (FOR SCC-DISPLAY)	.2
20	2179984-0	1	FRONT PLATE, PUSH BUTTON PANEL	.3
30	2179320-0	1	BLIND PLUG, BLACK	.3
40	Z002180-0	1	THERMO PROTECTION SWITCH ASSY.	.3
50	2178760-1	1	HORN AUDIBLE WARNING	.3
60	2179978-0	1	EMERGENCY CUTOFF SWITCH	.3
70	Z002197-0	1	WARNING LED, BATTERY CHARGE	.3
80	Z002196-0	1	WARNING LED, CHECK ENGINE & OIL PRESSURE	.3
90	Z002198-0	1	START SWITCH, GREEN	.3
100	Z002199-0	1	IGNITION SWITCH	.3
110	2180077-0	1	CABLE ASSY. PUSH-BUTTON PANEL	.3
120	2206291-1	1	INTERMEDIATE CABLE 5m	.3
130	9000817-0	4	CR.REC.COUNT.SUNK HD.TPG.SCR. 3.5x16	.3





TA 0613

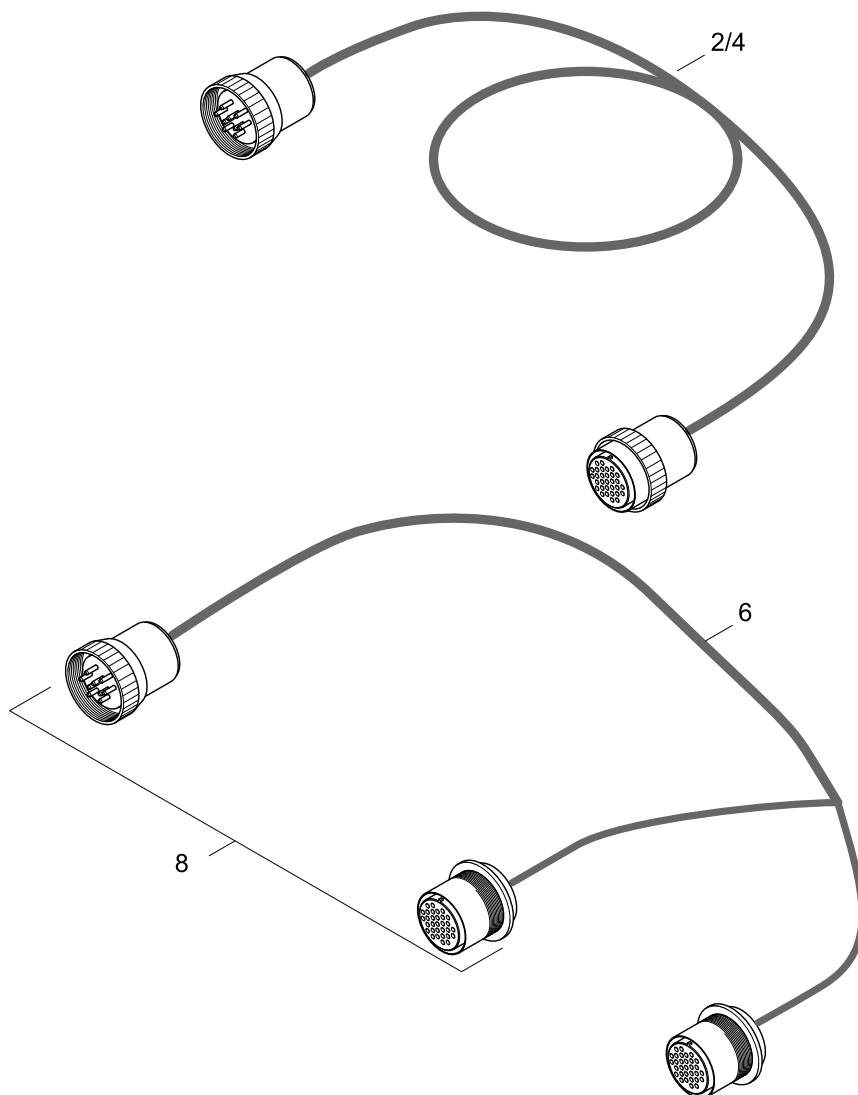


SE266 536
MARINE

EXTENSION CABLE INSTRUMENTS

06136184-0

NOTE: NOT COMPATIBLE WITH "SOLAS" INSTRUMENT PANEL





EXTENSION CABLE INSTRUMENTS	SE266 S36 MARINE
------------------------------------	-----------------------------

06136184-0

Pos.	Part.-No.	Qty	Designation	Step
2	2206291-0	1	EXTENSION CABLE 6,3m 23-WAY CON.	.2
4	2206291-2	1	EXTENSION CABLE 10m 23 WAY CON.	.2
6	2206292-0	1	Y-JUNCTION CABLE 1m 23-WAY CON.	.2
8	Z002410-0	1	CABLE-PLUG PAIR COMPL. 23-POLE	.2

NOTE: NOT COMPATIBLE WITH "SOLAS" INSTRUMENT PANEL



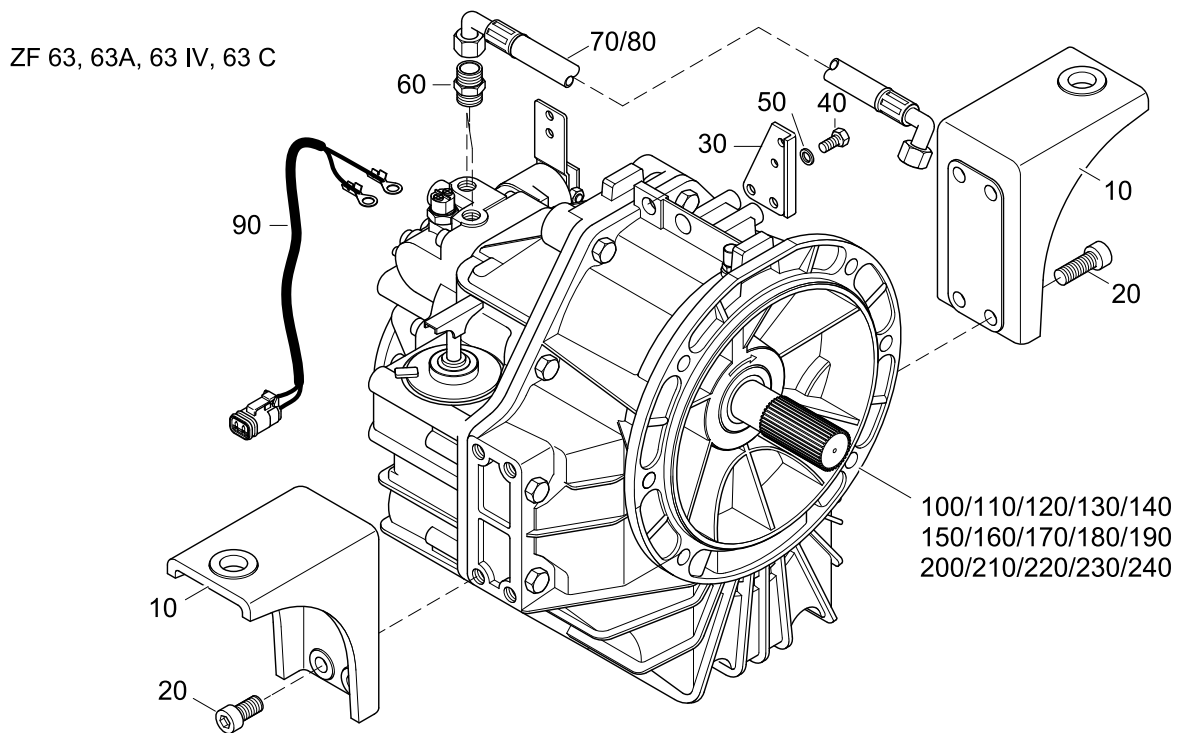


TA 0700

SE266 536
MARINE

TRANSMISS., MOUNTING BRACKETS, PIPES

07006284-0





TRANSMISS., MOUNTING BRACKETS, PIPES

**SE266 S36
MARINE**

07006284-0

Pos.	Part.-No.	Qty	Designation	Step
10	2178710-V	2	BRACKET GEAR-BOX DOWN ANGLE	.2
20	9000081-0	8	HEX.SOCK.HD.CAP SCR. DIN 912-M12x35-8.8-A3C	.2
30	2178711-9	1	BRACKET SHIFT CABLE PAINTED	.2
40	3800224-0	2	HEX.HD.SCR. ISO 4017-M8x20-A2-70	.2
50	3930103-0	2	WASHER DIN 125-8.4-140HV-A2	.2
60	Z011655-0	2	THREADED SOCKET 3/8NPT-M18x1,5	.2
70	2181242-0	1	OIL HOSE L=1000mm	.2
80	2178732-0	1	OIL HOSE L=825mm	.2
90	2180915-0	1	HARNESS GEAR-SWITCH	.2
100	2178651-5	1	GEARBOX ASSY. ZF 63 A I=1.56 (PAINTED)	.2
110	2178651-6	1	GEARBOX ASSY. ZF 63 A I=2.04 (PAINTED)	.2
120	2178651-7	1	GEARBOX ASSY. ZF 63 A I=2.52 (PAINTED)	.2
130	2178651-8	1	GEARBOX ASSY. ZF 63 A I=1.22 (PAINTED)	.2
140	2178651-9	1	GEARBOX ASSY. ZF 63 A I=2.70 (PAINTED)	.2
150	2178766-5	1	GEARBOX ASSY. ZF 63 I=1.51 (PAINTED)	.2
160	2178766-6	1	GEARBOX ASSY. ZF 63 I=2.48 (PAINTED)	.2
170	2178766-7	1	GEARBOX ASSY. ZF 63 I=2.78 (PAINTED)	.2
180	2178766-8	1	GEARBOX ASSY. ZF 63 I=1.93 (PAINTED)	.2
190	2178766-9	1	GEARBOX ASSY. ZF 63 I=1.25 (PAINTED)	.2
200	2178652-6	1	GEARBOX ASSY. ZF 63 IV I=2.00 (PAINTED)	.2
210	2178652-7	1	GEARBOX ASSY. ZF 63 IV I=2.48 (PAINTED)	.2
220	2178652-8	1	GEARBOX ASSY. ZF 63 IV I=1.29 (PAINTED)	.2
230	2178652-5	1	GEARBOX ASSY. ZF 63 IV I=1.56 (PAINTED)	.2
240	2179500-9	1	GEARBOX ASSY. ZF 63 C I=1 (PAINTED)	.2



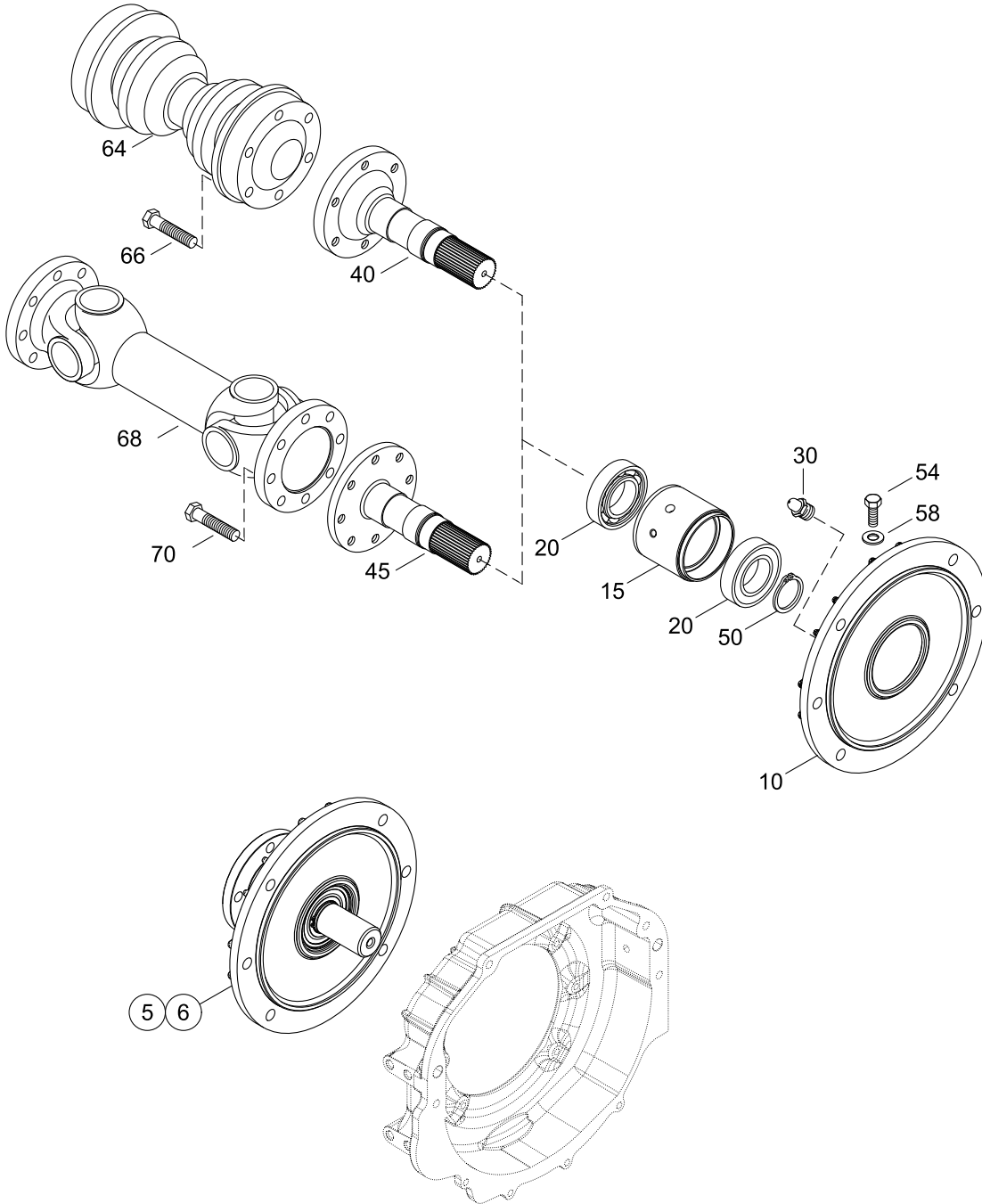


TA 0701

SE266 536
MARINE

TRANSMISSION-SHAFT, PTO-SHAFT

07016184-0



ALU - HOUSING



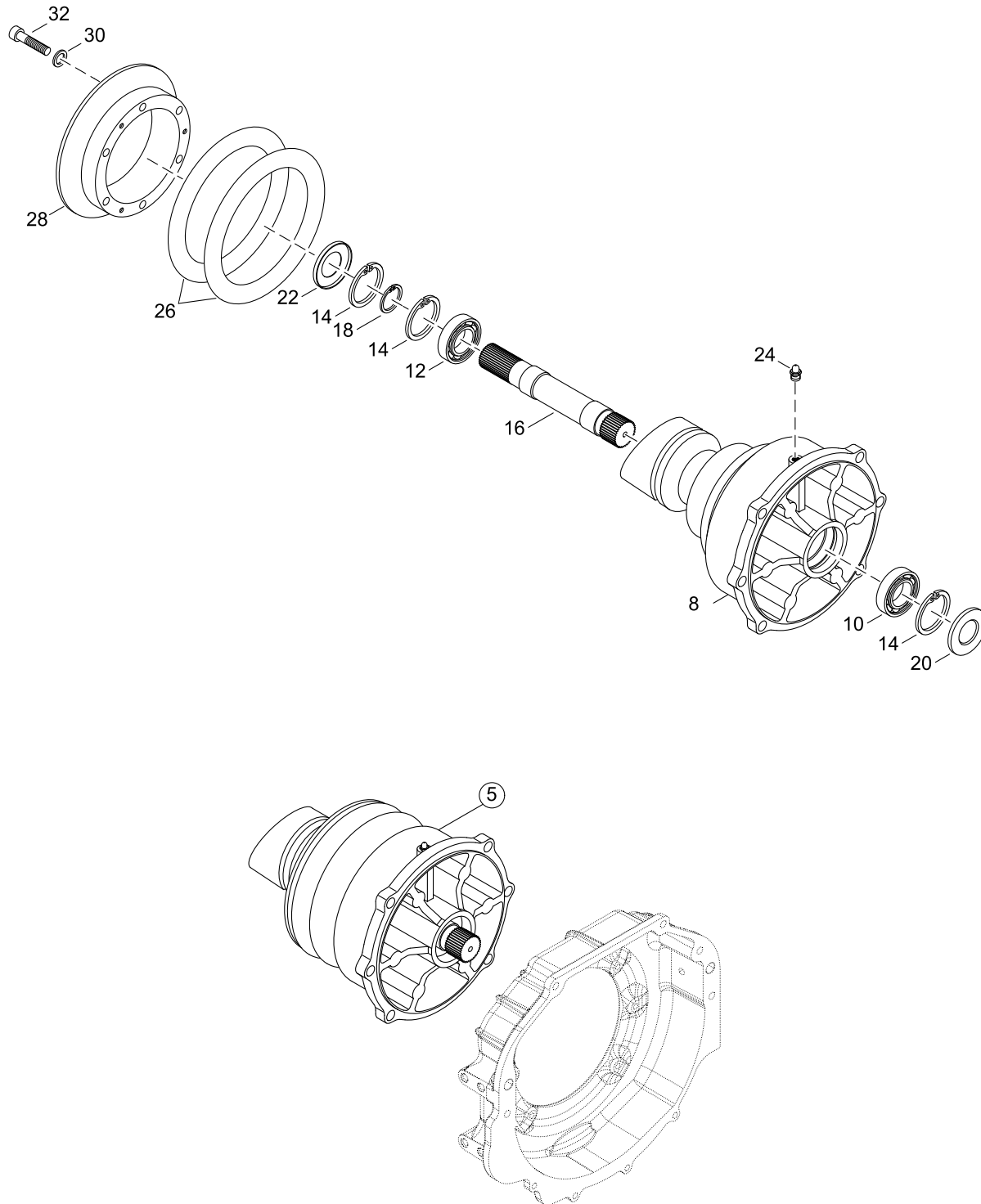


TA 0720

SE266 536
MARINE

DRIVE ADAPTOR VOLVO STERNDRIVE

07206084-0



DRIVE ADAPTOR VOLVO STERNDRIVE

**SE266 S36
MARINE**

07206084-0

Pos.	Part.-No.	Qty	Designation	Step
5	2178819-0	1	ADAPTER VOLVO STERNDRIVE (PAINTED)	.2
8	2178817-0	1	ADAPTERHSG. VOLVO STERNDRIVE	..3
10	9000152-0	1	DEEP GROOVE BALL BEARING DIN 625-6007	..3
12	3311018-0	1	DEEP GROOVE BALL BEARING DIN 625-6206 RS1	..3
14	3934310-0	3	INTERIOR CIRCLIP DIN 472-62x2	..3
16	2178818-0	1	ADAPTER SHAFT VOLVO STERNDRIVE	..3
18	3933200-0	1	EXTERIOR CIRCLIP DIN 471-30x1.5	..3
20	9000153-0	1	RADIAL SEALING RING DIN 3760-35x62x7-AS	..3
22	9000153-1	1	RADIAL SEALING RING DIN 3760-35x62x7-A	..3
24	3963124-0	1	LUBRICATING NIPPLE, CONE DIN 71412-AM10x1-A3F	..3
26	2178821-0	2	O-RING 155 X 22	..3
28	2178820-0	1	FLANGE VOLVO STERN-DRIVE	..3
30	3930075-0	6	WASHER DIN 125 A10.5-140HV-A2	..3
32	9000185-1	6	HEX. SOCK. HD. CAP SCR. DIN 912-M10x100-A2-70	..3





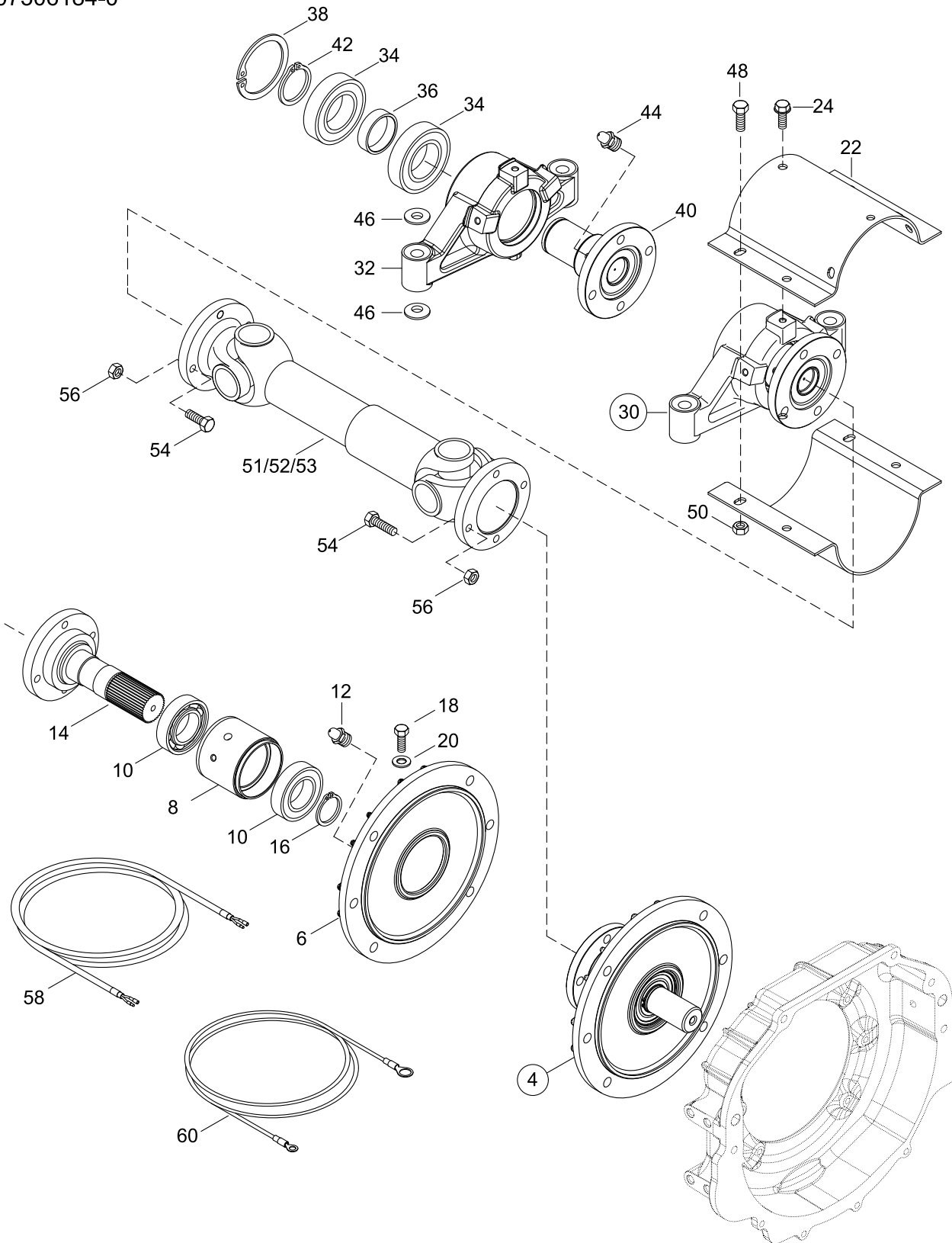
TA 0730



SE266 536
MARINE

DRIVE SHAFT EXT. MERCURY STERNDRIVE

07306184-0





DRIVE SHAFT EXT. MERCURY STERNDRIVE

**SE266 S36
MARINE**

07306184-0

Pos.	Part.-No.	Qty	Designation	Step
4	Z002116-0	1	ADAPTER SHAFT ASSY. - MERCURY W.LENGTH BALANCE (PAINTED)	.2
6	Z002117-0	1	ADAPTER HOUSING - PAINTED (ALUCASTING)	..3
8	2179328-0	1	BEARING RETAINER	..3
10	3311181-0	2	DEEP GROOVE BALL BEARING DIN 625-RS1	..3
12	3963112-0	1	LUBRICATING NIPPLE, CONE DIN 71412-AM8x1-A3F	..3
14	2178814-2	1	ADAPTER SHAFT (MERCURY)	..3
16	3933251-0	1	RETAINING RING SHAFT DIN 471-35x1,5	..3
18	3802442-0	2	HEX.HD.SCR. ISO 4017-M8x40-8.8-A2C	..3
20	O125134-0	2	WASHER LARGE	..3
22	2179273-0	4	COVER PLATE	.2
24	9000305-0	6	HEX.FLANGE BOLT EN 1665-M8x20-10.9-DAC	.2
30	Z002118-0	1	BEARING BLOCK DRIVE SH. MERC. ASSY. (PAINTED)	.2
32	Z002119-0	1	BEARING BLOCK DRIVE SH. MERC. (PAINTED)	..3
34	9000486-0	2	DEEP GROOVE BALL BEARING DIN 625-6209 2RS1	..3
36	2179271-0	1	DISTANCE PLATE	..3
38	9000403-0	1	RETAINING RING BORE DIN 472-85x3	..3
40	Z002120-0	1	SHAFT-FLANGE DRIVE SHAFT MERC.	..3
42	3933350-0	1	RETAINING RING SHAFT DIN 471-45x1.75-BLANK	..3
44	3963112-0	1	LUBRICATING NIPPLE, CONE DIN 71412-AM8x1-A3F	..3
46	2179274-0	4	WASHER SPHERIC	.2
48	3802515-0	8	HEX.HD.SCR. ISO 4017-M10x20-8.8-A3C	.2
50	9000052-0	8	HEX.FLANGE NUT,PREVG.TOR. DIN 6927-M10-8-DAC A500	.2
51	Z002079-0	1	DRIVE SHAFT L=432mm & SCREWS	.2
52	Z002080-0	1	DRIVE SHAFT L=1000mm & SCREWS	.2
53	Z002081-0	1	DRIVE SHAFT L=1500mm & SCREWS	.2
54	9000066-0	8	HEX.HD.BOLT ISO 4017-M10x35-12.9	..3
56	9000052-0	8	HEX.FLANGE NUT,PREVG.TOR. DIN 6927-M10-8-DAC A500	..3
58	2179352-0	1	EXTENSION CABLE - TRIMSSENSOR 1,5m	.2
60	2179353-0	1	GROUND WIRE FLYW.HSG-TRANSOM 1,8m	.2



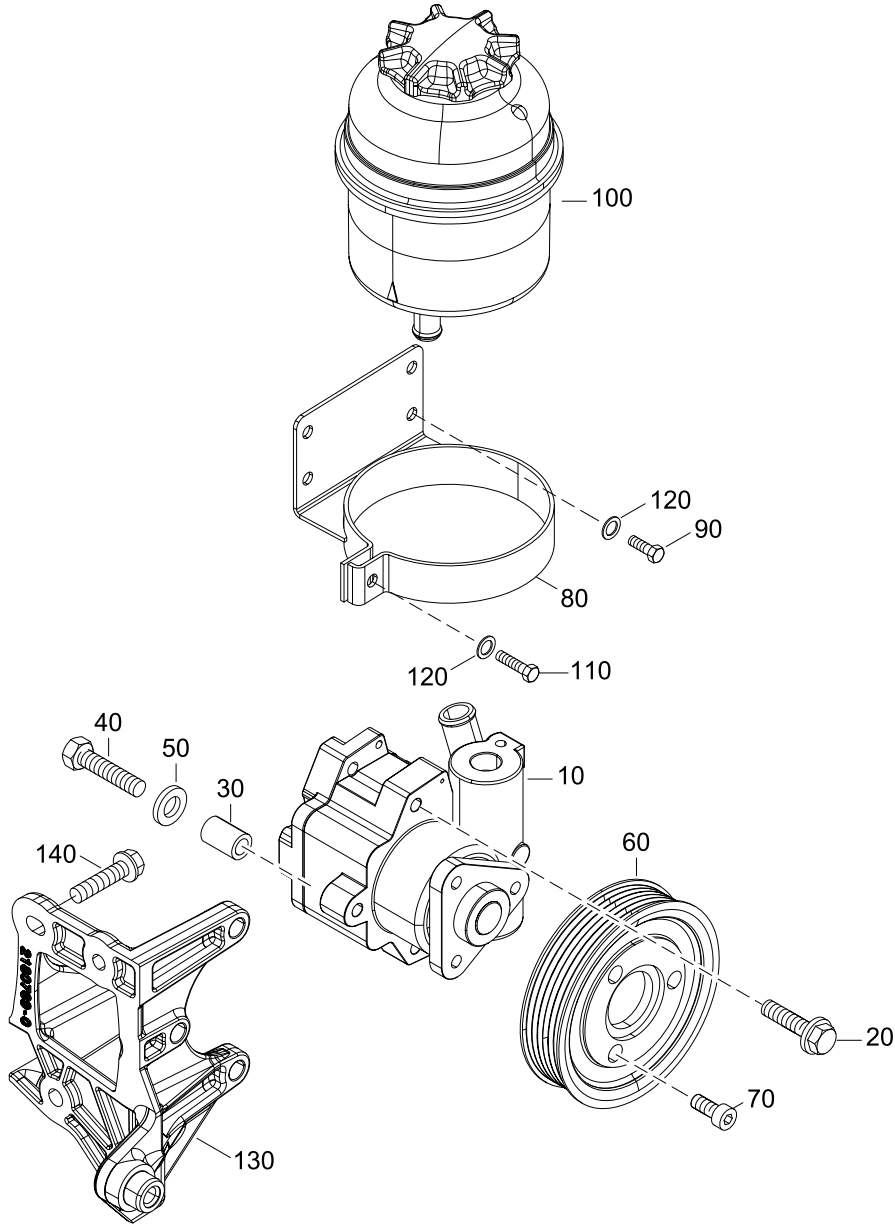


TA 1408

SE266 536
MARINE

HYDRAULIC PUMP

14086284-0



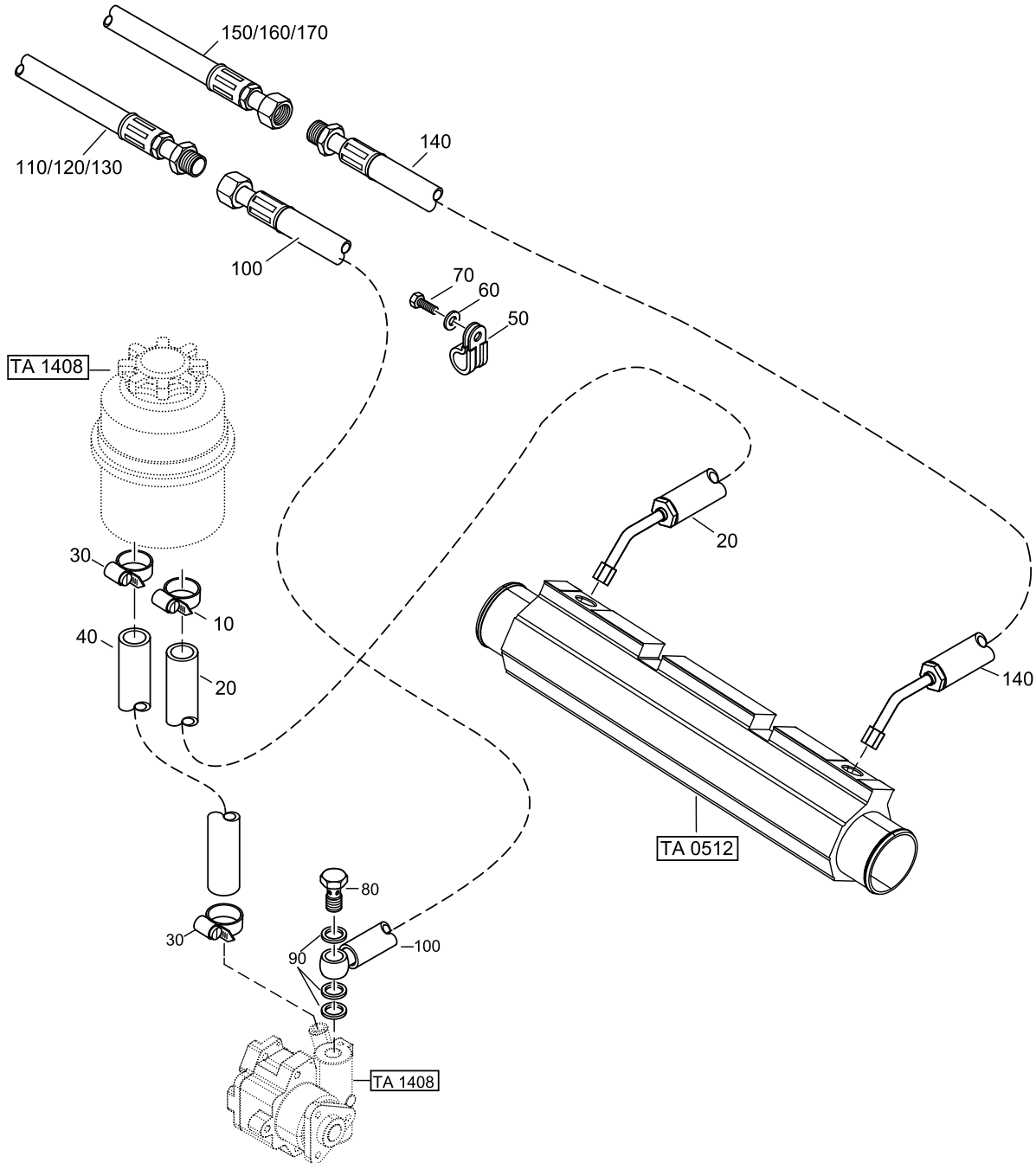


TA 1409

SE266 536
MARINE

HYDRAULIC PIPES

14096284-0



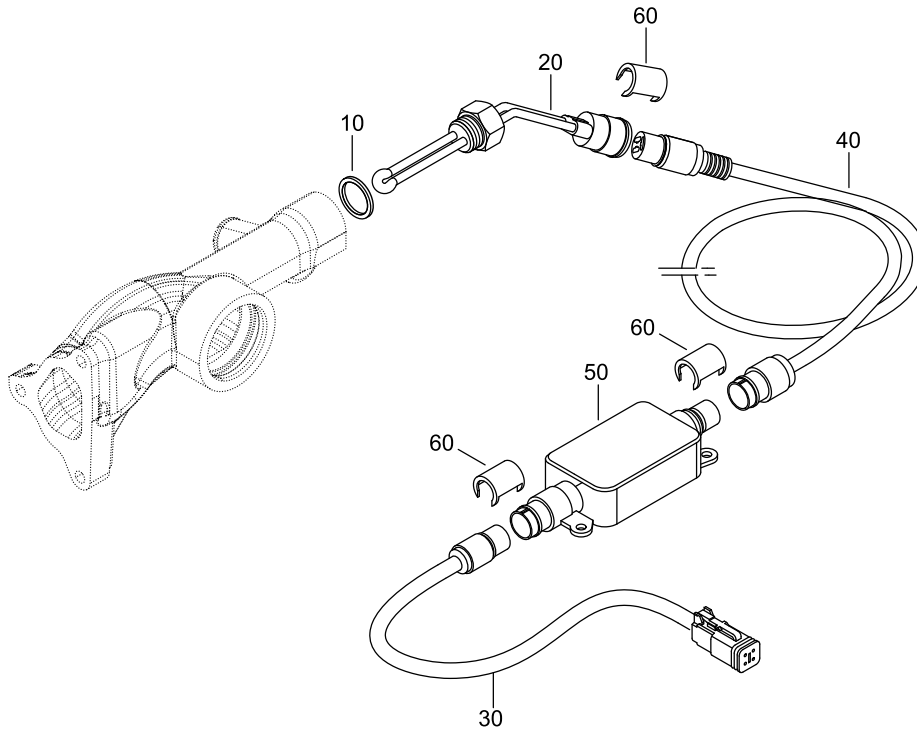


TA 2207

SE266 536
MARINE

ENGINE PREHEATING

22076284-0





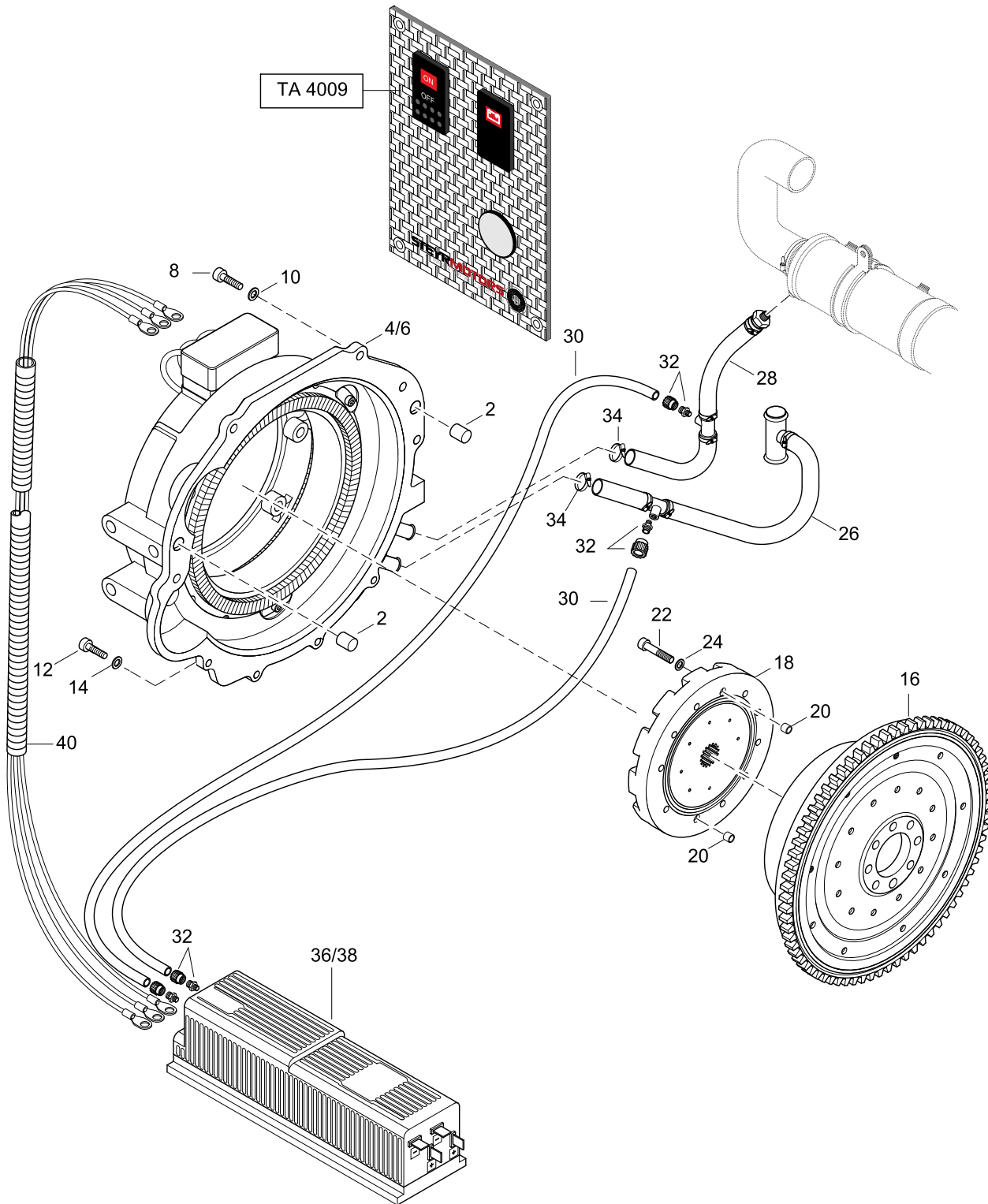
TA 4000



SE266 536
MARINE

INTEGR. FLYWHEELGENERATOR (IFG)

40006184-0



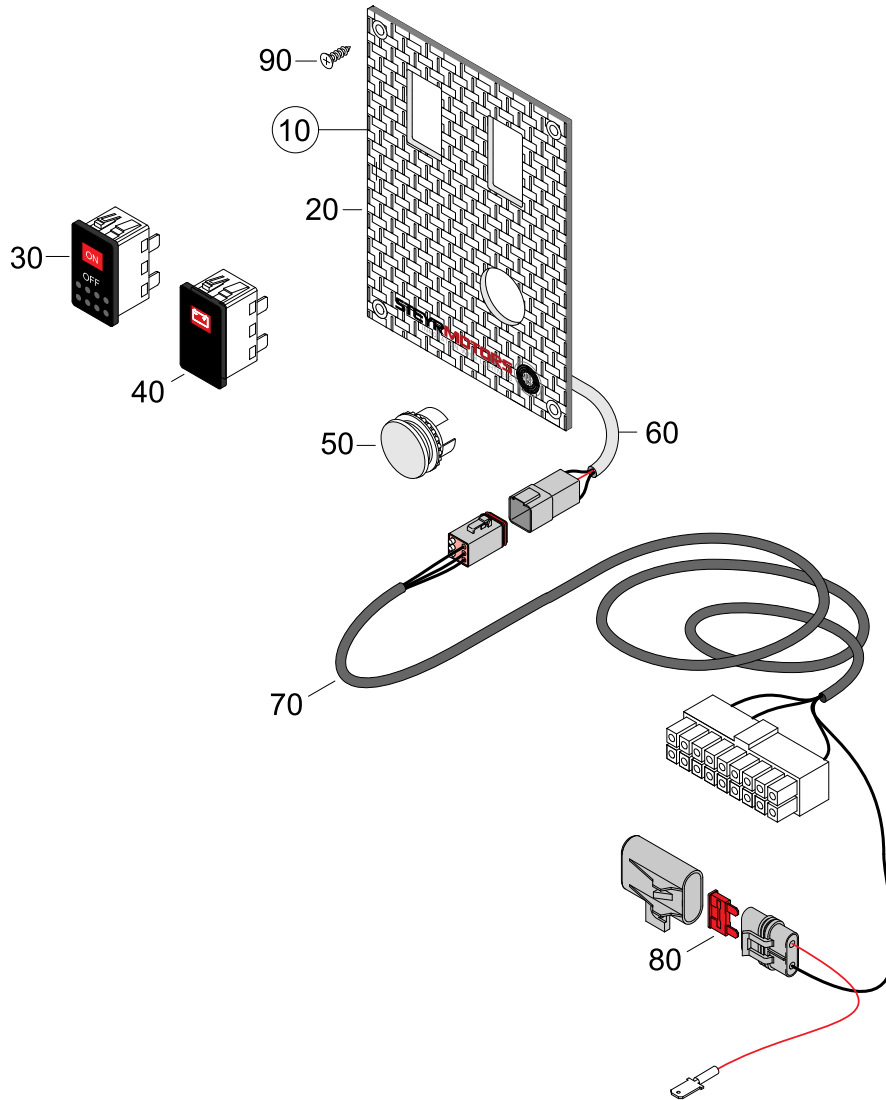


TA 4009

SE266 536
MARINE

PUSH BUTTON PANEL „IFG“

40096184-1



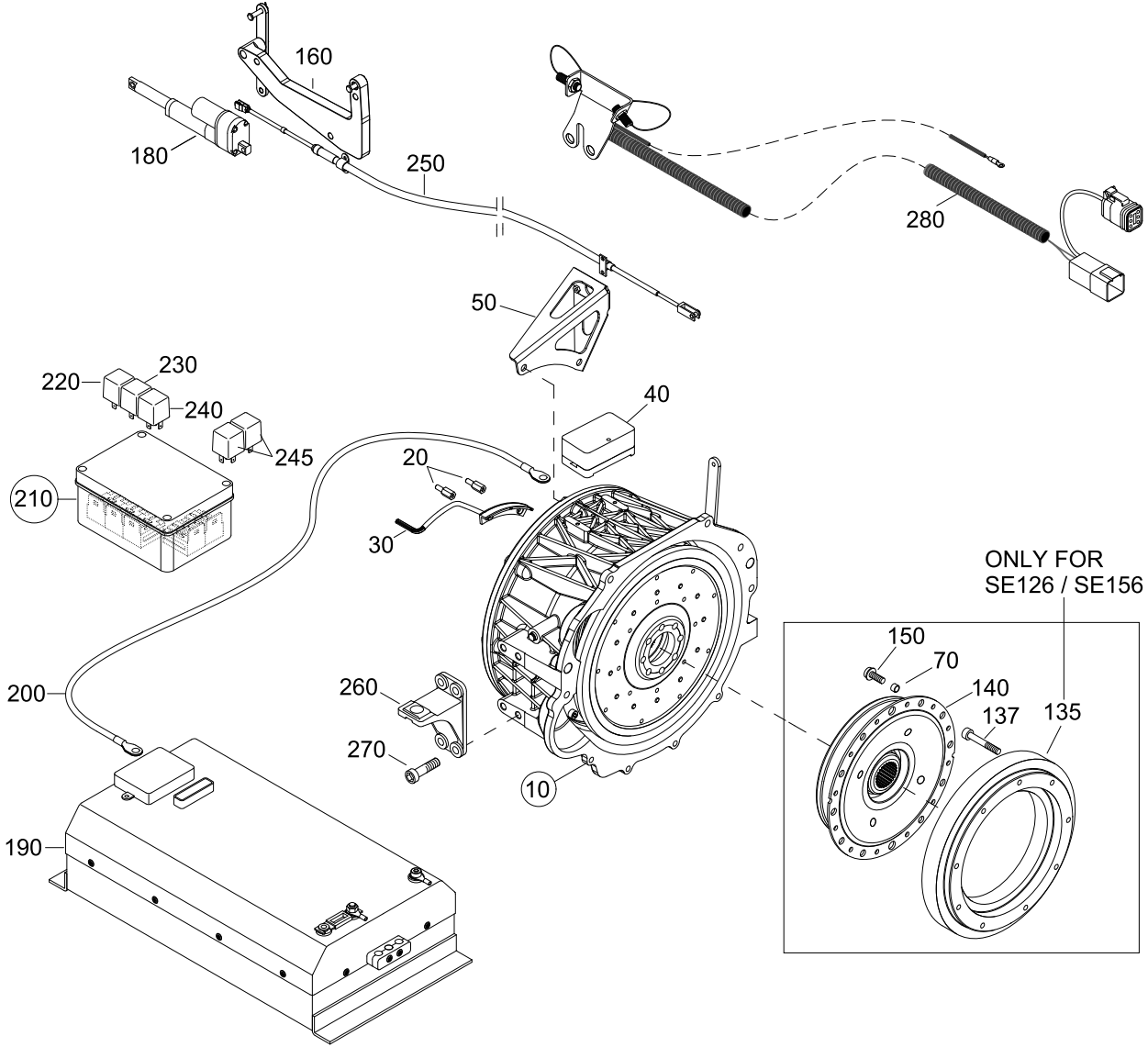


TA 4100

SE266 536
MARINE

HYBRID

41006284-0



HYBRID	SE266 S36 MARINE
---------------	-----------------------------

41006284-0

Pos.	Part.-No.	Qty	Designation	Step
10	Z002171-0	1	ELECTRIC MOTOR ASSY.	.2
20	2179623-1	2	DISTANCE BOLT	..3
30	Z002173-0	1	HALL SENSOR ASSY.	..3
40	2179758-0	1	CONNECTION PLATE	..3
50	2180122-0	1	GEAR SHIFT BRACKET	..3
70	2203543-0	2	FITTING SLEEVE	.2
135	2180522-0	1	FLYWHEEL MASS	.2
137	3862452-0	9	HEX.SOCK.HD.CAP SCR. DIN 912-M8x50-8.8-A2C	.2
140	Z026060-0	1	S.P. COUPLER	.2
150	9000685-0	12	LOCKING SCREW-M8x16-10.9	.2
160	2179739-1	1	CONTROL BRACKET ASSY.	.2
180	Z002174-0	1	CONTROL MOTOR, CLUTCH	.2
190	Z002195-0	1	ELECTR.CONTROL SYSTEM	.2
200	Z021009-0	3	CONNECTING CABLE	.2
210	Z002175-0	1	RELAIS BOX ASSY.	.2
220	2179961-0	1	PROGRAMMED RELAIS, A12	..3
230	2179960-0	1	PROGRAMMED RELAIS, A11	..3
240	2179959-0	1	PROGRAMMED RELAIS, A10	..3
245	9000183-0	2	RELAY 12V 40A	..3
250	Z002178-0	1	GEAR SHIFT CABLE ASSY.	.2
260	2178722-1	2	BRACKET FLYWHEEL HOUSING	.2
270	9000081-0	8	HEX.SOCK.HD.CAP SCR. DIN 912-M12x35-8.8-A3C	.2
280	Z026154-0	1	POSITION SENSORS ASSY. (SPARE PART)	.2



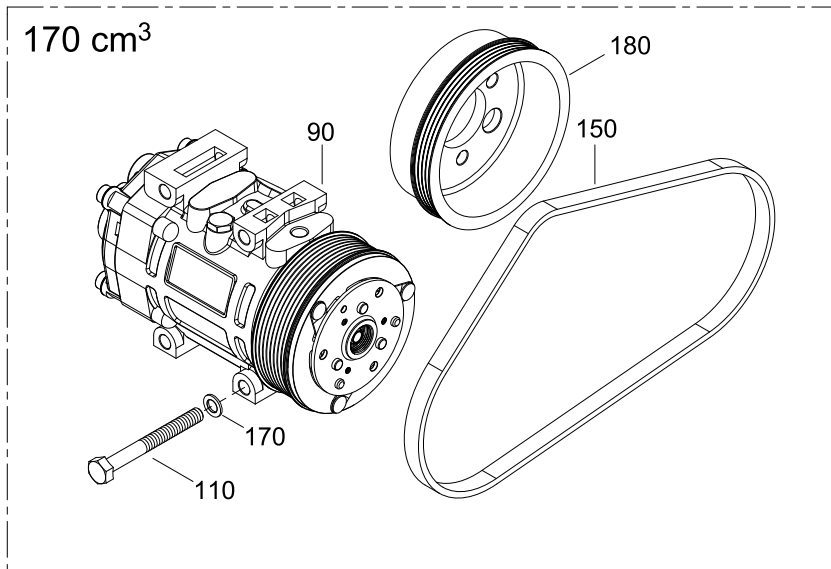
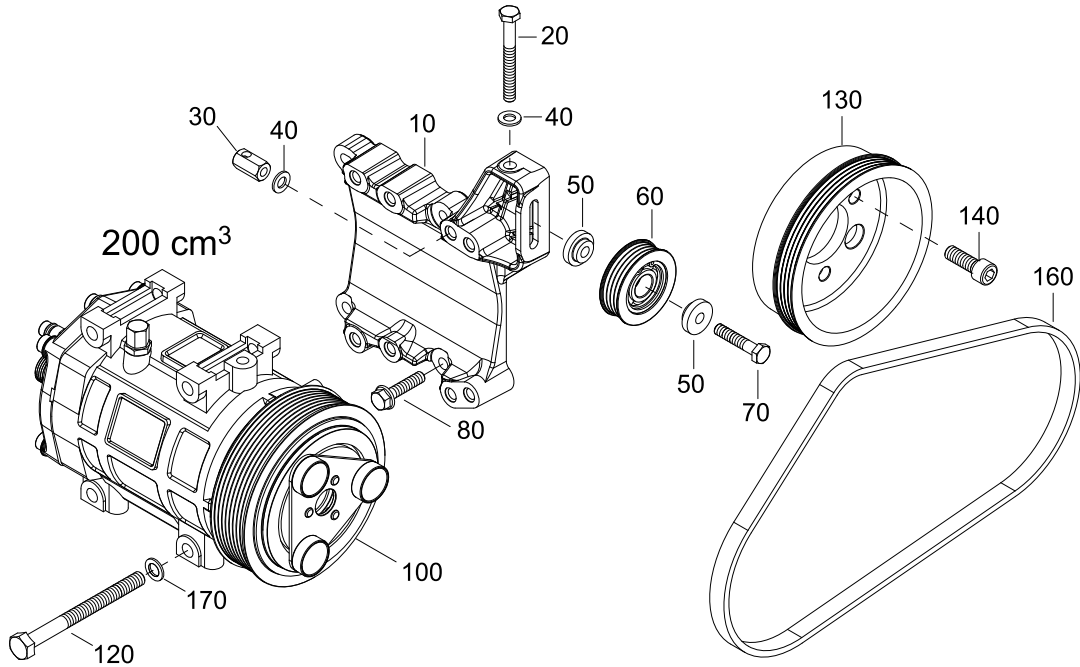


TA 5200

SE266 536
MARINE

AIR CONDITIONING & DRIVE

52006284-0





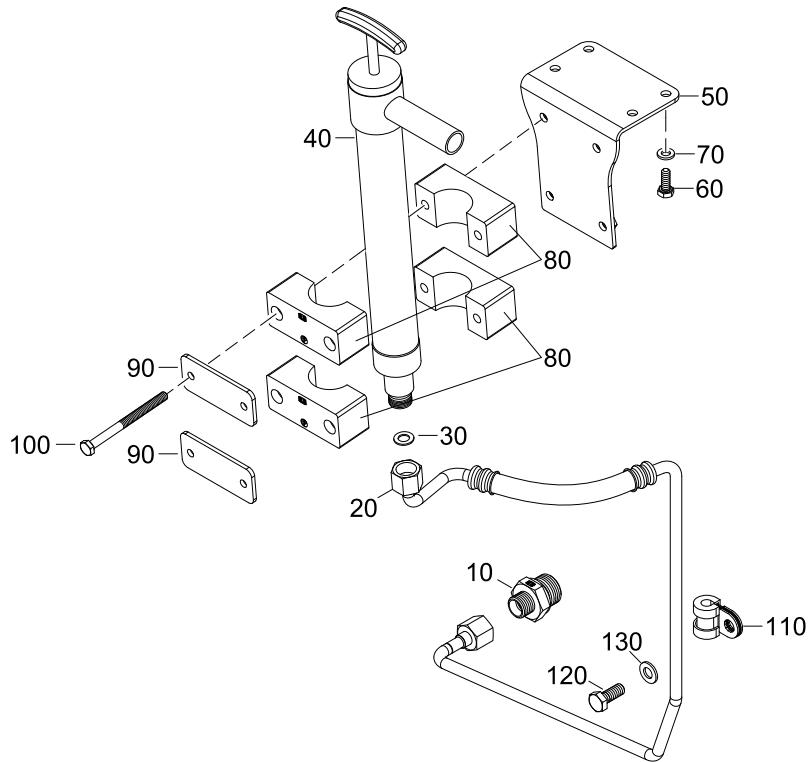
TA 5520



SE266 536
MARINE

OIL DRAIN PUMP

55206284-0





TA 6012

SE266 536
MARINE

HEATING UNIT, CIRCULATION PUMP

60126284-0

